

OPW Fluid Transfer Group
 Europe B.V. A SPRINT COMPANY

P.O. Box 32, 2150 AA NIEUW VENNEP
 THE NETHERLANDS
 Tel. (31) 252 660 300
 Fax. (31) 252 687 258
 Internet <http://www.opw-ftg.nl/>

TITLE:

TANK TRUCK LOADING OPTIONS

THIS DRAWING IS THE EXCLUSIVE PROPERTY OF OPW-FTG EUROPE B.V.. IT IS SUBMITTED ON THE CONDITION THAT THE DESIGNS CONTAINED THEREIN BE HELD CONFIDENTIAL, AND IS SUBJECT TO RETURN ON DEMAND. © COPYRIGHT 2004

DRAWN: FVDM

DATE: 07-FEB-2002

SIZE
A4

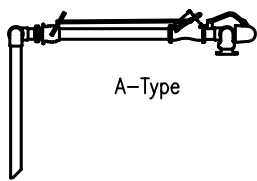
SHEET 1
 OF 1

SCALE
 none

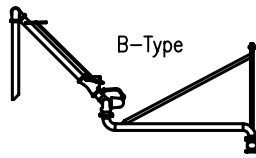
SHEET No.

DS00363

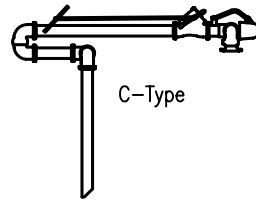
REV.: **A**



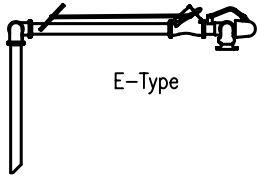
A-Type



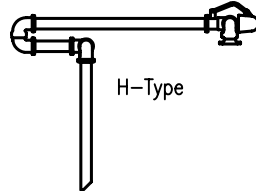
B-Type



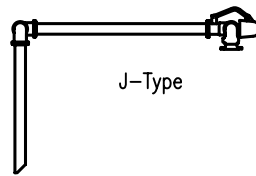
C-Type



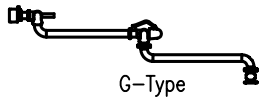
E-Type



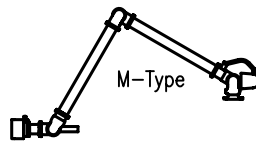
H-Type



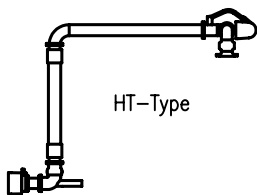
J-Type



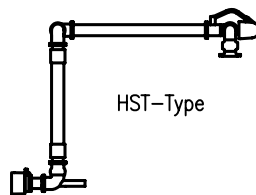
G-Type



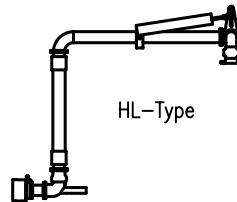
M-Type



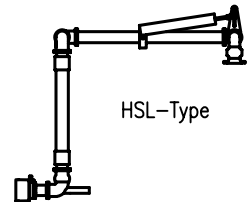
HT-Type



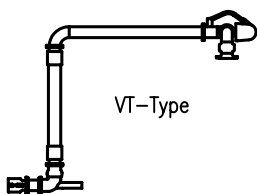
HST-Type



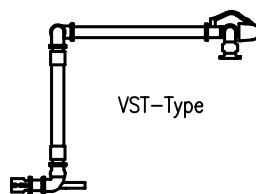
HL-Type



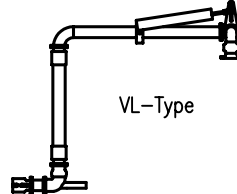
HSL-Type



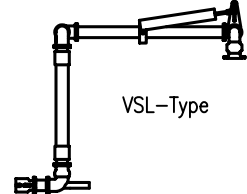
VT-Type



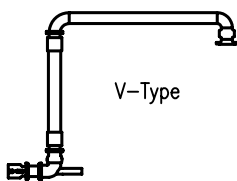
VST-Type



VL-Type



VSL-Type



V-Type

OPW Fluid Transfer Group
Europe B.V. A COMPANY

P.O. Box 32, 2150 AA NIEUW VENNEP
THE NETHERLANDS
Tel. (31) 252 660 300
Fax. (31) 252 687 258
Internet <http://www.opw-ftg.nl/>

TITLE:

TYPE LOADING ARMS

THIS DRAWING IS THE EXCLUSIVE PROPERTY OF OPW-FTG EUROPE B.V.. IT IS SUBMITTED ON THE CONDITION THAT THE DESIGNS CONTAINED THEREIN BE HELD CONFIDENTIAL, AND IS SUBJECT TO RETURN ON DEMAND. © COPYRIGHT 2004

DRAWN: FVDM

DATE: 31-JAN-2002

SIZE
A4

SHEET 1
OF 1

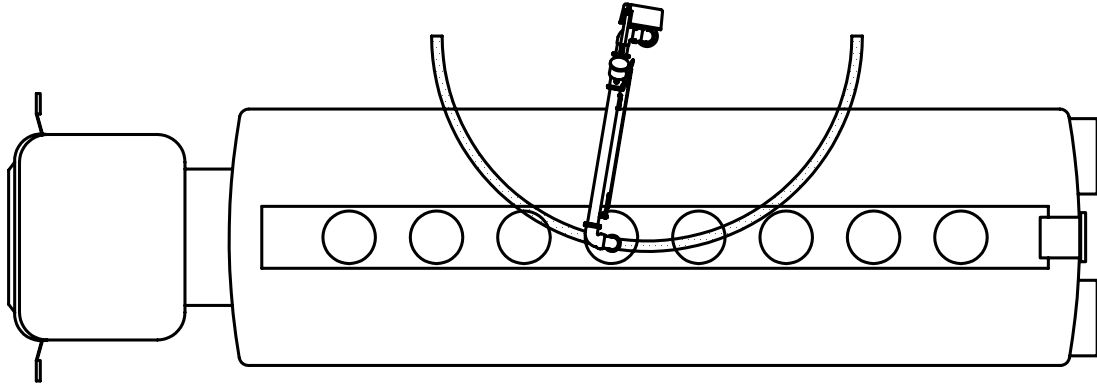
SCALE
none

SHEET No.

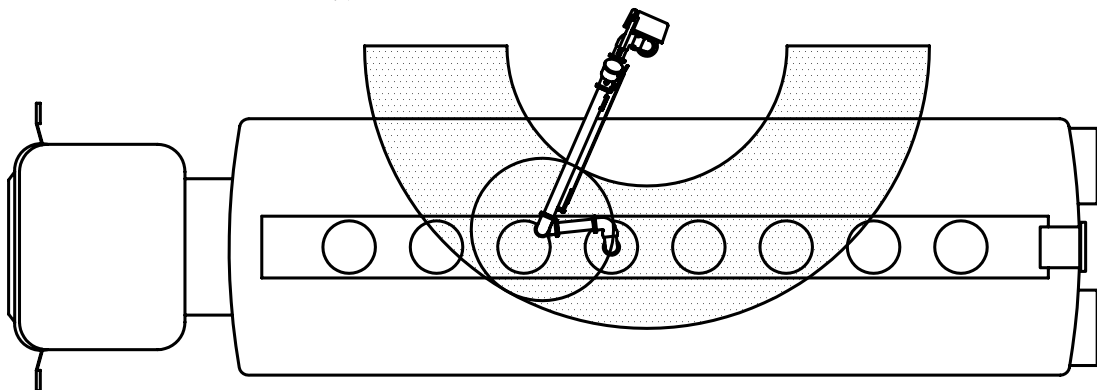
DS00353

REV.: A

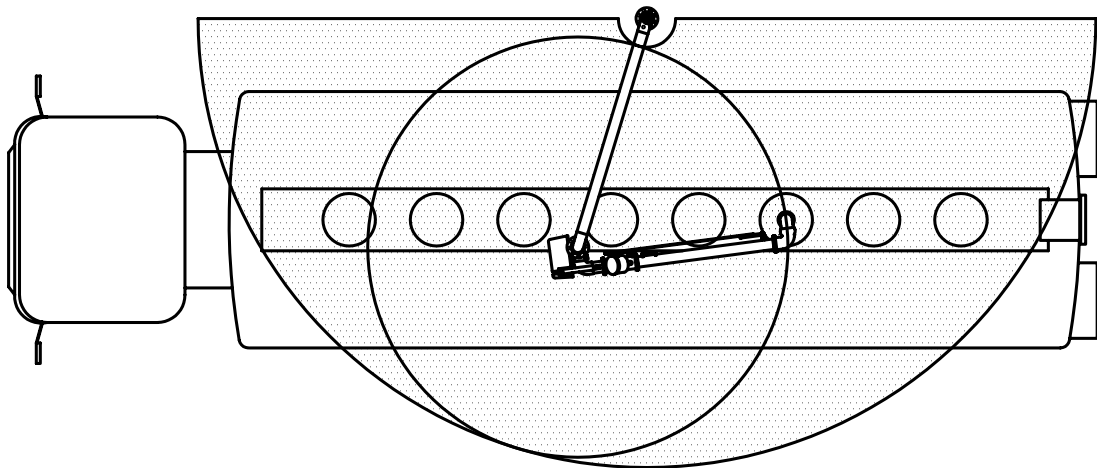
Fixed Reach E-Loader



Scissor Type C-Loader



Long Reach Boom Type B-Loader



OPW Fluid Transfer Group
Europe B.V. A SPRINT COMPANY

P.O. Box 32, 2150 AA NIEUW VENNEP
THE NETHERLANDS
Tel. (31) 252 660 300
Fax. (31) 252 687 258
Internet <http://www.opw-ftg.nl/>

TITLE:

ENVELOPE LOADING ARMS

THIS DRAWING IS THE EXCLUSIVE PROPERTY OF OPW-FTG EUROPE B.V.. IT IS SUBMITTED ON THE CONDITION THAT THE DESIGNS CONTAINED THEREIN BE HELD CONFIDENTIAL, AND IS SUBJECT TO RETURN ON DEMAND. © COPYRIGHT 2004

DRAWN: FVDM

DATE: 31-JAN-2002

SIZE
A4

SHEET 1
OF 1

SCALE
none

SHEET No.

DS00354

REV.: A

L.P.M	2"	3"	4"	6"
400	3.1			
600	4.6	2.1		
800	6.1	2.8		
1000	7.7	3.5	2.0	
1250	9.6	4.4	2.5	
1500		5.2	3.0	
1750		6.1	3.5	
2000		7.0	4.0	
2250		7.9	4.5	2.0
2500		8.7	5.1	2.2
2750			5.6	2.4
3000			6.1	2.6
3250			6.6	2.9
3500			7.1	3.1
3750			7.6	3.3
4000			8.1	3.6
4500			9.1	4.0
5000				4.5
5500				4.9
6000				5.3
6500				5.8
7000				6.2

LIQUID FLOW VELOCITY (M/S) IN RELATION WITH CAPACITY (L.P.M.) AND PIPE SIZE (INCH).

OPW Fluid Transfer Group
Europe B.V. A  COMPANY

P.O. Box 32, 2150 AA NIEUW VENNEP
THE NETHERLANDS
Tel. (31) 252 660 300
Fax. (31) 252 687 258
Internet <http://www.opw-ftg.nl/>

TITLE: LIQUID FLOW VELOCITY
LOADING ARMS

THIS DRAWING IS THE EXCLUSIVE PROPERTY OF OPW-FTG EUROPE B.V.. IT IS SUBMITTED ON THE CONDITION THAT THE DESIGNS CONTAINED THEREIN BE HELD CONFIDENTIAL, AND IS SUBJECT TO RETURN ON DEMAND. © COPYRIGHT 2004

DRAWN: FVDM

DATE: 05-FEB-2002

SIZE
A4

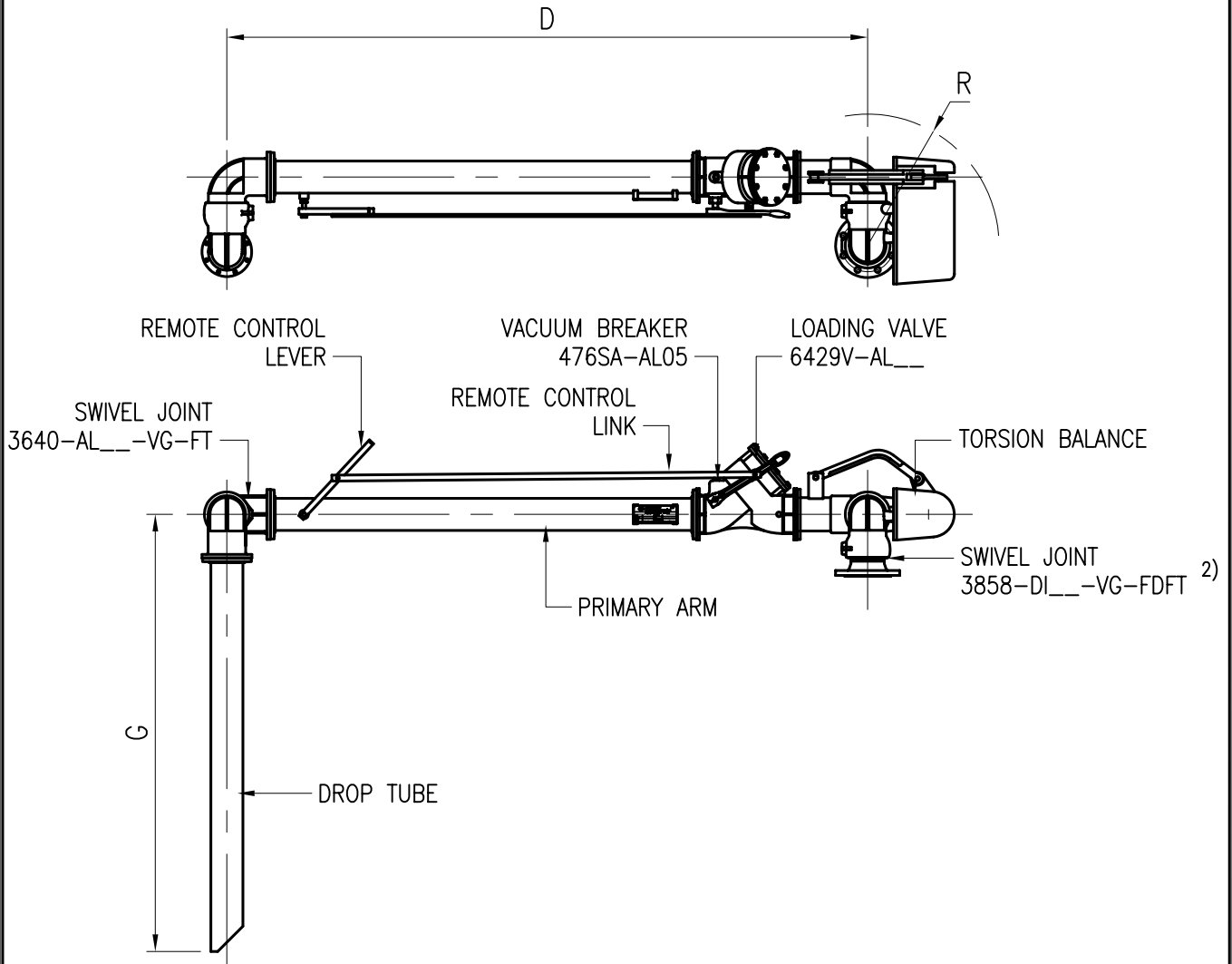
SHEET 1
OF 1

SCALE
none

SHEET No.

DS00355

REV.: A



SIZE	DIMENSIONS			BALANCE TYPE	WEIGHT kg	SIZE CODE __ 2)
	D	G	R			
3"	2200	1500	406	788	61	30
3"	2800	1750	406	788	63	30
4"	2200	1500	432	788	76	40
4"	2800	1750	451	789A	89	40

- NOTE : 1) INLET CONNECTION AVAILABLE IN ASA 150lbs RF AND DIN 2633 PN10/16
 2) __ 2 DIGIT NUMBER IN ARTICLE No, REFERS TO APPLICABLE SIZE, SEE TABLE
 3) OTHER DIMENSIONS ON REQUEST

OPW Fluid Transfer Group
 Europe B.V. A COMPANY

P.O. Box 32, 2150 AA NIEUW VENNEP
 THE NETHERLANDS
 Tel. (31) 252 660 300
 Fax. (31) 252 687 258
 Internet <http://www.opw-ftg.nl/>

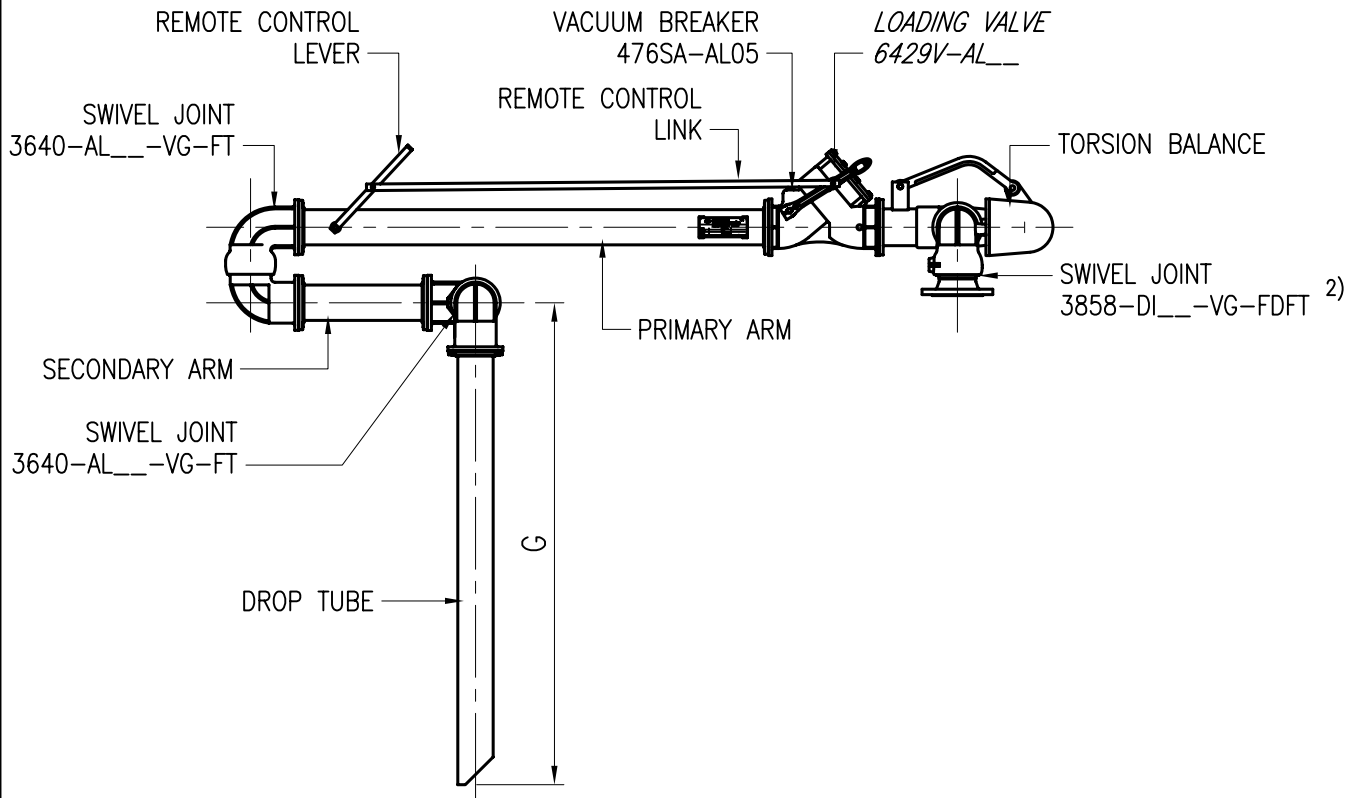
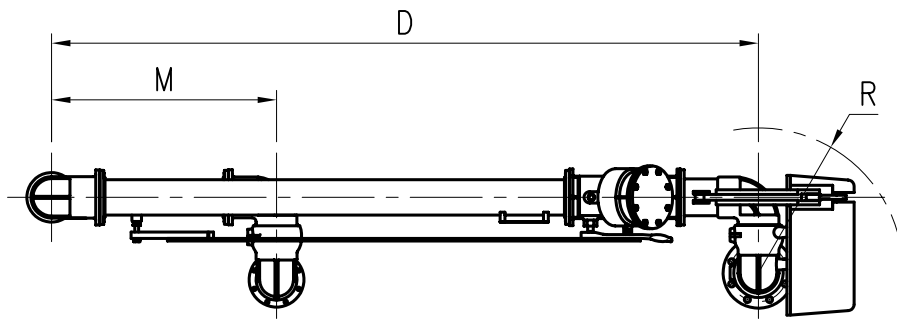
TITLE: LIQUID LOADER TYPE
 E32RF-AL__-VG-DIN

THIS DRAWING IS THE EXCLUSIVE PROPERTY OF OPW-FTG EUROPE B.V.. IT IS SUBMITTED ON THE CONDITION THAT THE DESIGNS CONTAINED THEREIN BE HELD CONFIDENTIAL, AND SUBJECT TO RETURN ON DEMAND. © COPYRIGHT 2004

DRAWN: FVDM
 DATE: 03-JAN-2002

SIZE A4 SHEET 1 OF 1 SCALE none SHEET No.

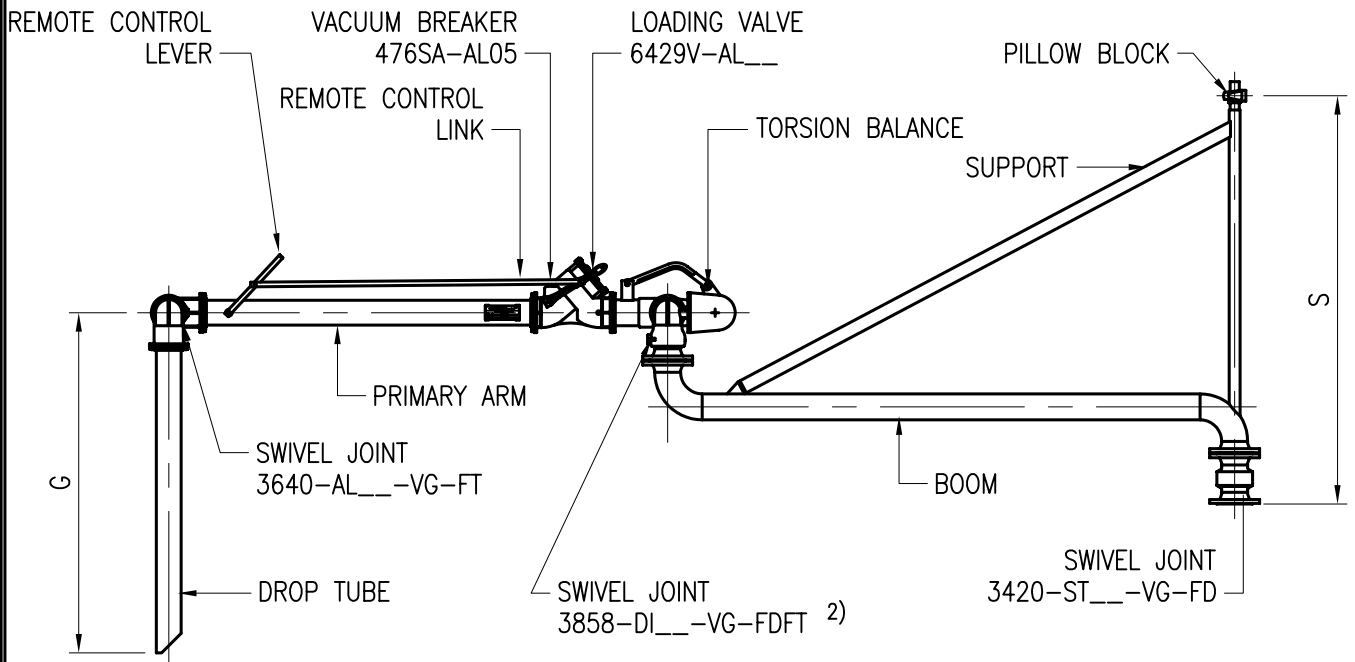
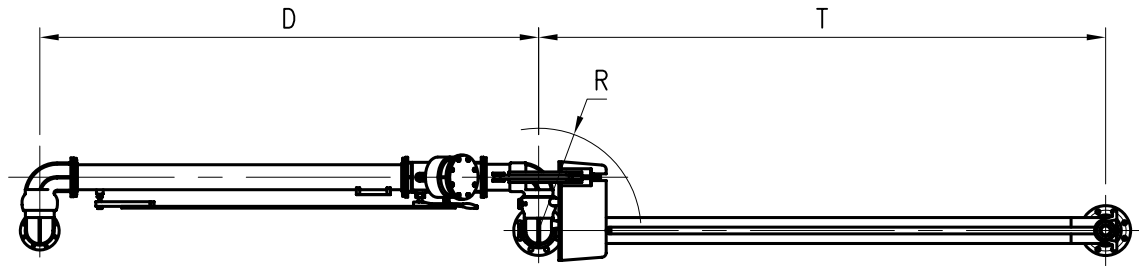
DS00349 REV: A



SIZE	DIMENSIONS				BALANCE TYPE	WEIGHT kg	SIZE CODE __ 2)
	D	G	M	R			
3"	2200	1500	700	406	788	66	30
3"	2800	1750	900	426	789A	80	30
4"	2200	1500	700	451	789A	94	40
4"	2800	1750	900	451	789B	99	40

NOTE : 1) INLET CONNECTION AVAILABLE IN ASA 150lbs RF AND DIN 2633 PN10/16
 2) __ 2 DIGIT NUMBER IN ARTICLE No., REFERS TO APPLICABLE SIZE, SEE TABLE
 3) OTHER DIMENSIONS ON REQUEST

	TITLE: LIQUID LOADER TYPE C32RF-AL__-VG-DIN		DRAWN: FVDM
	THIS DRAWING IS THE EXCLUSIVE PROPERTY OF OPW-FTG EUROPE B.V.. IT IS SUBMITTED ON THE CONDITION THAT THE DESIGNS CONTAINED THEREIN BE HELD CONFIDENTIAL, AND SUBJECT TO RETURN ON DEMAND. © COPYRIGHT 2004		DATE: 17-SEP-2001
P.O. Box 32, 2150 AA NIEUW VENNEP THE NETHERLANDS Tel. (31) 252 660 300 Fax. (31) 252 687 258 Internet http://www.opw-ftg.nl/	SIZE A4	SHEET 1 OF 1	SCALE none SHEET No. DS00308 REV.: A



SIZE	DIMENSIONS					BALANCE TYPE	WEIGHT kg	SIZE CODE __ 2)
	D	G	R	S	T			
3"	2200	1500	406	1800	2500	788	139	30
4"	2200	1500	451	1800	2500	789A	189	40

- NOTE :
- 1) INLET CONNECTION AVAILABLE IN ASA 150lbs RF AND DIN 2633 PN10/16
 - 2) __ 2 DIGIT NUMBER IN ARTICLE No, REFERS TO APPLICABLE SIZE, SEE TABLE
 - 3) OTHER DIMENSIONS ON REQUEST

OPW Fluid Transfer Group
Europe B.V. A SPRINT COMPANY

P.O. Box 32, 2150 AA NIEUW VENNEP
THE NETHERLANDS
Tel. (31) 252 660 300
Fax. (31) 252 687 258
Internet <http://www.opw-ftg.nl/>

TITLE:
LIQUID LOADER TYPE
B32RF-AL__-VG-DIN

THIS DRAWING IS THE EXCLUSIVE PROPERTY OF OPW-FTG EUROPE B.V.. IT IS SUBMITTED ON THE CONDITION THAT THE DESIGNS CONTAINED THEREIN BE HELD CONFIDENTIAL, AND IS SUBJECT TO RETURN ON DEMAND. © COPYRIGHT 2004

DRAWN: FVDM

DATE: 06-AUG-2003

SIZE
A4

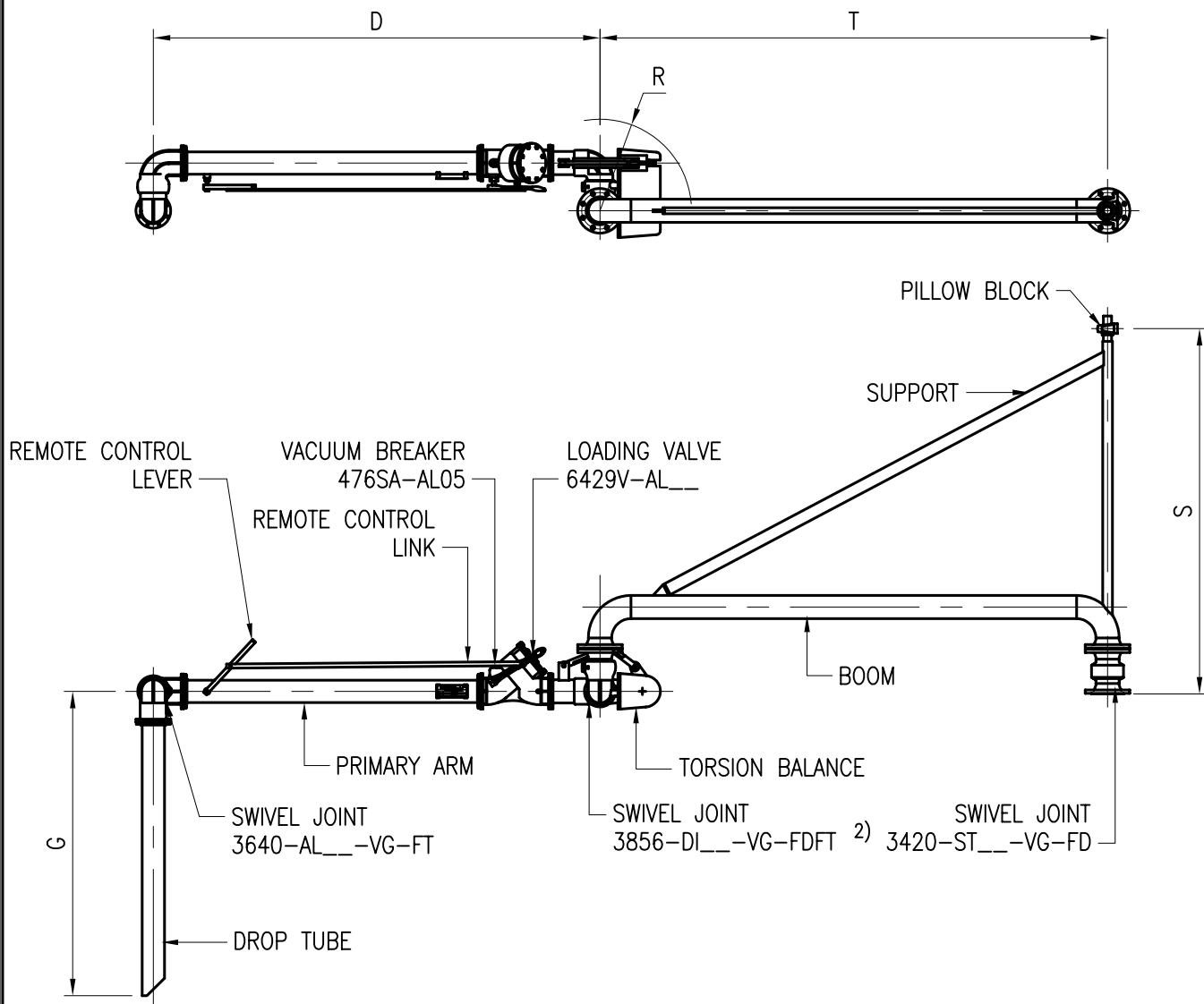
SHEET 1
OF 1

SCALE
none

SHEET No.

DS00380

REV.:
A



SIZE	DIMENSIONS					BALANCE TYPE	WEIGHT kg	SIZE CODE ___ 2)
	D	G	R	S	T			
3"	2200	1500	406	1800	2500	788	139	30
4"	2200	1500	451	1800	2500	789A	189	40

- NOTE : 1) INLET CONNECTION AVAILABLE IN ASA 150lbs RF AND DIN 2633 PN10/16
 2) ___ 2 DIGIT NUMBER IN ARTICLE No, REFERS TO APPLICABLE SIZE, SEE TABLE
 3) OTHER DIMENSIONS ON REQUEST



TITLE: LIQUID LOADER TYPE
B33RF-AL___-VG-DIN

THIS DRAWING IS THE EXCLUSIVE PROPERTY OF OPW-FTG EUROPE B.V.. IT IS SUBMITTED ON THE CONDITION THAT THE DESIGNS CONTAINED THEREIN BE HELD CONFIDENTIAL, AND SUBJECT TO RETURN ON DEMAND. © COPYRIGHT 2004

DRAWN: FVDM
DATE: 17-SEP-2001

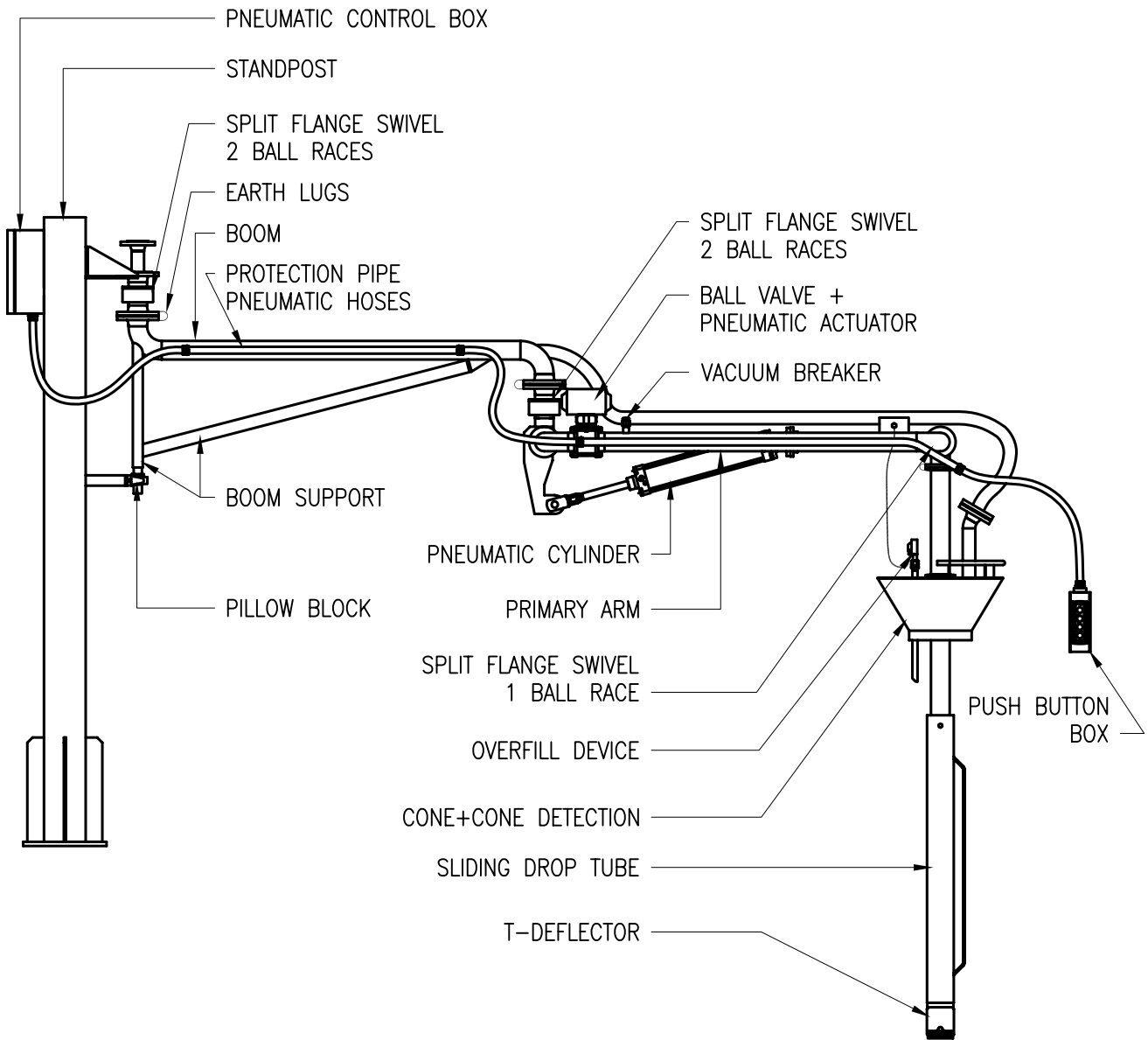
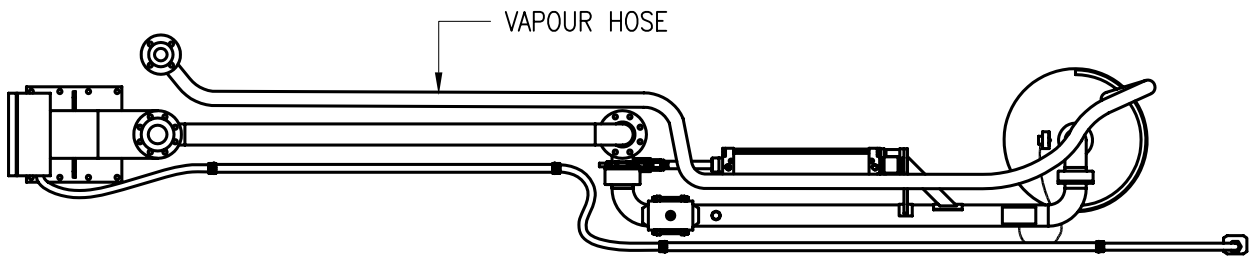
P.O. Box 32, 2150 AA NIEUW VENNEP
THE NETHERLANDS
Tel. (31) 252 660 300
Fax. (31) 252 687 258
Internet <http://www.opw-ftg.nl/>

SIZE A4 SHEET 1 OF 1 SCALE none

SHEET No.

DS00309

REV: A



OPW Fluid Transfer Group
 Europe B.V. A COMPANY

P.O. Box 32, 2150 AA NIEUW VENNEP
 THE NETHERLANDS
 Tel. (31) 252 660 300
 Fax. (31) 252 687 258
 Internet <http://www.opw-ftg.nl/>

TITLE: CUSTOMISED B-TYPE
 LOADING ARM

THIS DRAWING IS THE EXCLUSIVE PROPERTY OF OPW-FTG
 EUROPE B.V.. IT IS SUBMITTED ON THE CONDITION THAT THE
 DESIGNS CONTAINED THEREIN BE HELD CONFIDENTIAL, AND IS
 SUBJECT TO RETURN ON DEMAND. © COPYRIGHT 2004

DRAWN: FVDM
 DATE: 05-FEB-2002

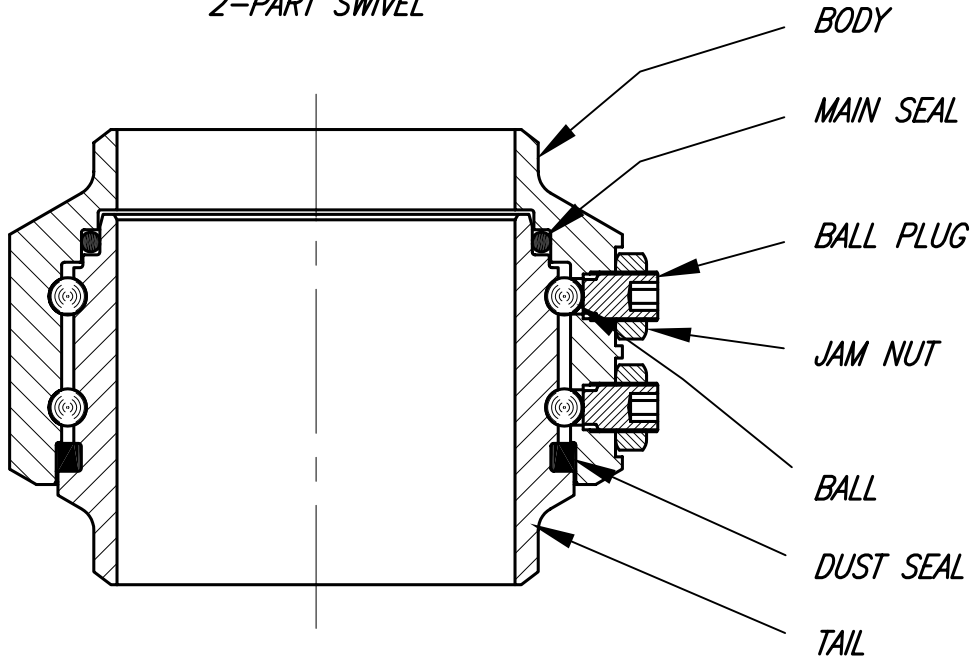
SIZE	SHEET	SCALE
A4	1 OF 1	none

SHEET No.

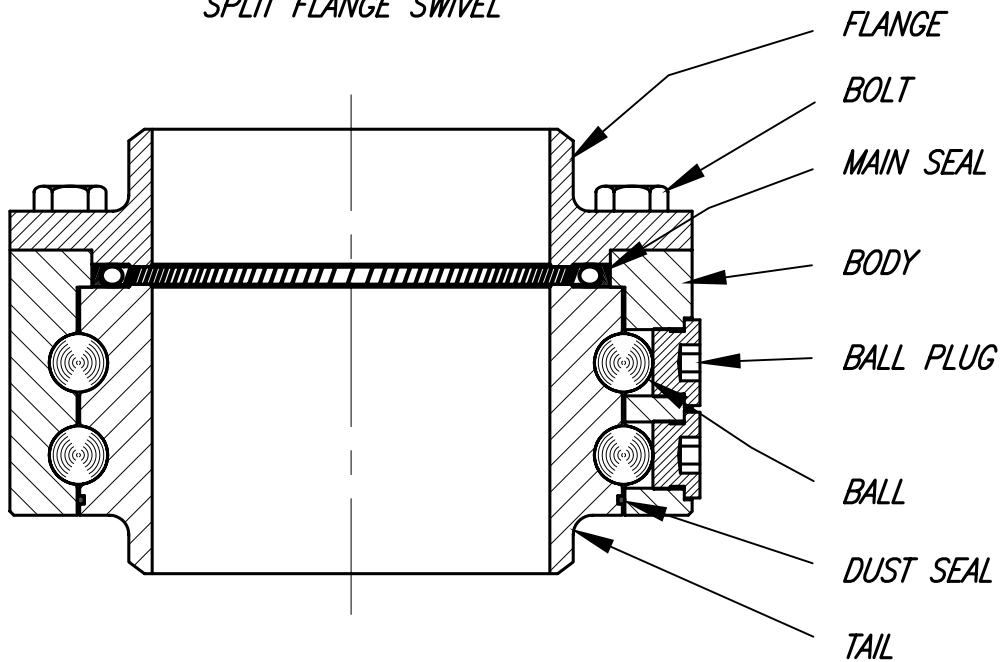
DS00360

REV.: A

2-PART SWIVEL



SPLIT FLANGE SWIVEL



OPW Fluid Transfer Group
Europe B.V. A COMPANY

P.O. Box 32, 2150 AA NIEUW VENNEP
THE NETHERLANDS
Tel. (31) 252 660 300
Fax. (31) 252 687 258
Internet <http://www.opw-ftg.nl/>

TITLE:

DESCRIPTION SWIVEL PARTS

THIS DRAWING IS THE EXCLUSIVE PROPERTY OF OPW-FTG EUROPE B.V.. IT IS SUBMITTED ON THE CONDITION THAT THE DESIGNS CONTAINED THEREIN BE HELD CONFIDENTIAL, AND IS SUBJECT TO RETURN ON DEMAND. © COPYRIGHT 2004

DRAWN: FVDM

DATE: 30-JAN-2002

SIZE
A4

SHEET 1
OF 1

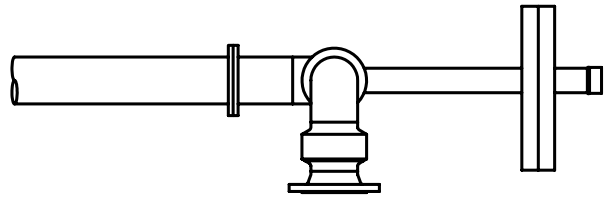
SCALE
none

SHEET No.

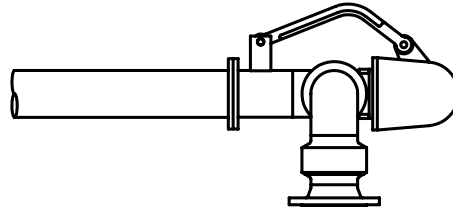
DS00352

REV.: A

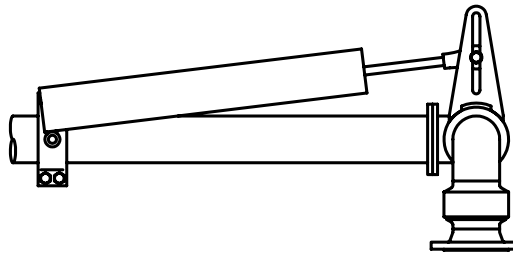
COUNTER WEIGHTS



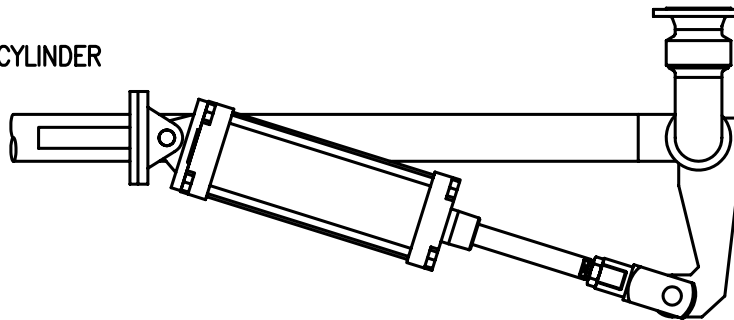
TORSION SPRING



LINEAR SPRING



PNEUMATIC CYLINDER



OPW Fluid Transfer Group
Europe B.V. A  COMPANY

P.O. Box 32, 2150 AA NIEUW VENNEP
THE NETHERLANDS
Tel. (31) 252 660 300
Fax. (31) 252 687 258
Internet <http://www.opw-ftg.nl/>

TITLE:

BALANCE OPTIONS LOADING ARMS

THIS DRAWING IS THE EXCLUSIVE PROPERTY OF OPW-FTG EUROPE B.V.. IT IS SUBMITTED ON THE CONDITION THAT THE DESIGNS CONTAINED THEREIN BE HELD CONFIDENTIAL, AND IS SUBJECT TO RETURN ON DEMAND. © COPYRIGHT 2004

DRAWN: FVDM

DATE: 05-FEB-2002

SIZE
A4

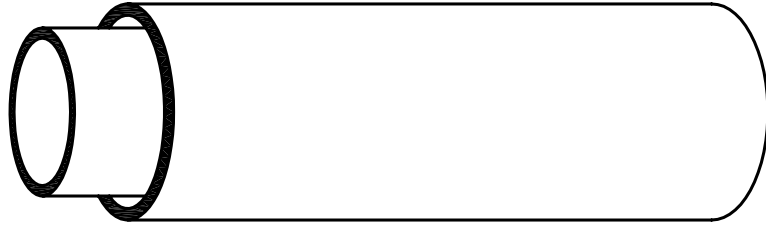
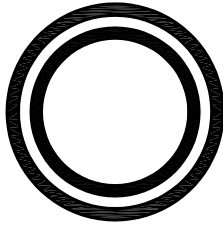
SHEET 1
OF 1

SCALE
none

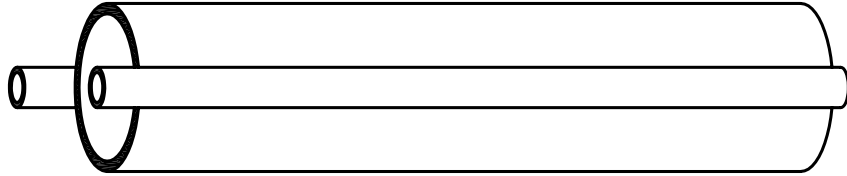
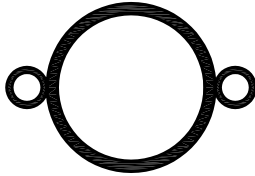
SHEET No.

DS00356

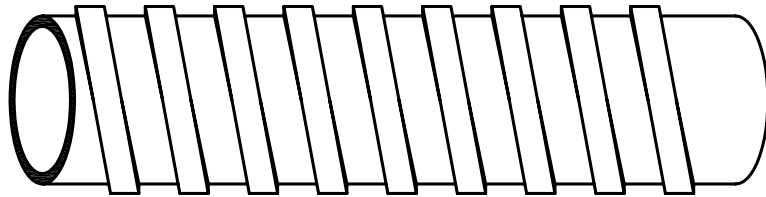
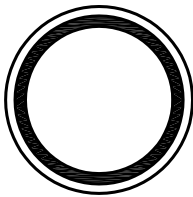
REV.: A



STEAM/OIL JACKETED PIPE



STEAM/OIL TRACED PIPE



ELECTRICAL TRACED PIPE

OPW Fluid Transfer Group
Europe B.V. A SPRINT COMPANY

P.O. Box 32, 2150 AA NIEUW VENNEP
THE NETHERLANDS
Tel. (31) 252 660 300
Fax. (31) 252 687 258
Internet <http://www.opw-ftg.nl/>

TITLE:

TYPE OF HEATING METHODE

THIS DRAWING IS THE EXCLUSIVE PROPERTY OF OPW-FTG EUROPE B.V.. IT IS SUBMITTED ON THE CONDITION THAT THE DESIGNS CONTAINED THEREIN BE HELD CONFIDENTIAL, AND IS SUBJECT TO RETURN ON DEMAND. © COPYRIGHT 2004

DRAWN: FVDM

DATE: 05-FEB-2002

SIZE
A4

SHEET 1
OF 1

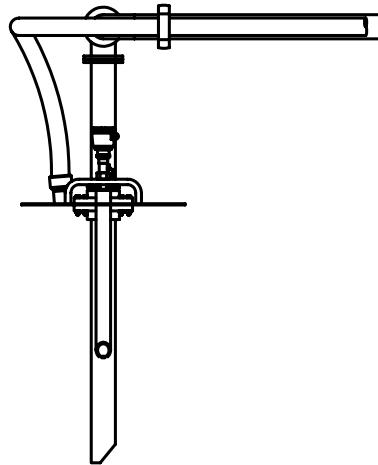
SCALE
none

SHEET No.

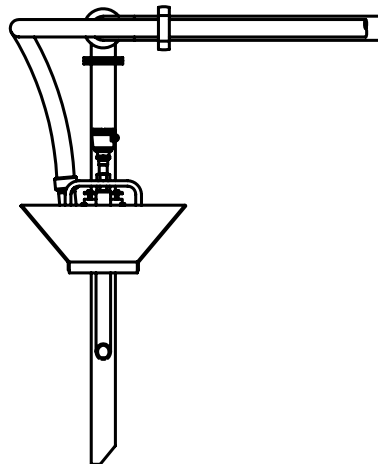
DS00357

REV.: A

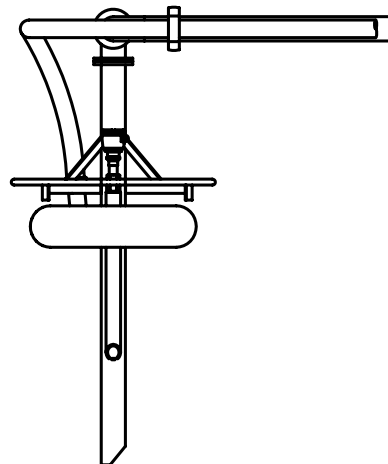
PLATE SEALING



CONE SEALING



INFLATABLE HATCH SEALING



OPW Fluid Transfer Group
Europe B.V. A  COMPANY

P.O. Box 32, 2150 AA NIEUW VENNEP
THE NETHERLANDS
Tel. (31) 252 660 300
Fax. (31) 252 687 258
Internet <http://www.opw-ftg.nl/>

TITLE:

VAPOUR RECOVERY OPTIONS

THIS DRAWING IS THE EXCLUSIVE PROPERTY OF OPW-FTG EUROPE B.V.. IT IS SUBMITTED ON THE CONDITION THAT THE DESIGNS CONTAINED THEREIN BE HELD CONFIDENTIAL, AND IS SUBJECT TO RETURN ON DEMAND. © COPYRIGHT 2004

DRAWN: FVDM

DATE: 07-FEB-2002

SIZE
A4

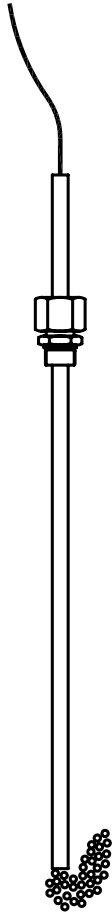
SHEET 1
OF 1

SCALE
none

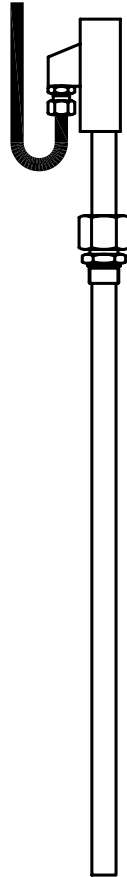
SHEET No.

DS00362

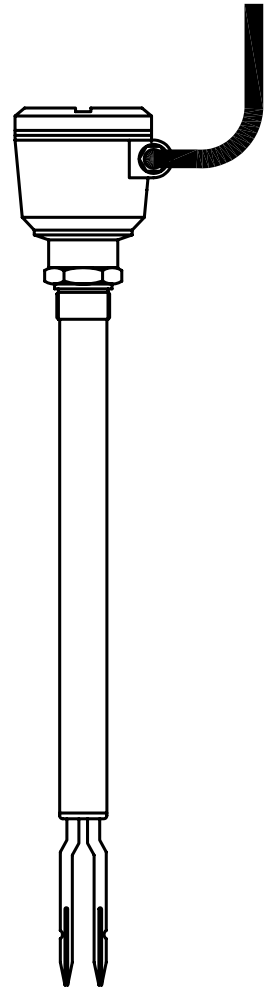
REV.: A



AIR INJECTION TYPE



PRESSURE HEAD TYPE
(OPW NV102/NV200/NV201)



VIBRATION DETECTION TYPE
(E&H FTL51)



P.O. Box 32, 2150 AA NIEUW VENNEP
THE NETHERLANDS
Tel. (31) 252 660 300
Fax. (31) 252 687 258
Internet <http://www.opw-ftg.nl/>

TITLE:

OVERFILL DEVICE OPTIONS

THIS DRAWING IS THE EXCLUSIVE PROPERTY OF OPW-FTG EUROPE B.V.. IT IS SUBMITTED ON THE CONDITION THAT THE DESIGNS CONTAINED THEREIN BE HELD CONFIDENTIAL, AND IS SUBJECT TO RETURN ON DEMAND. © COPYRIGHT 2004

DRAWN: FVDM

DATE: 05-FEB-2002

SIZE
A4

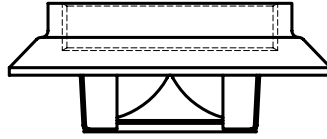
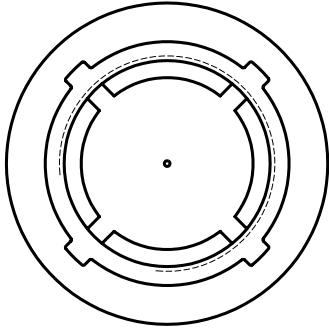
SHEET 1
OF 1

SCALE
none

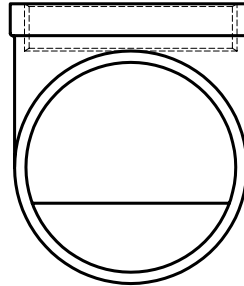
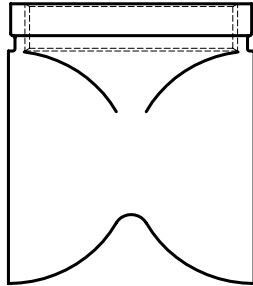
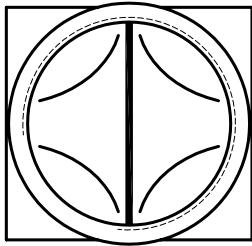
SHEET No.

DS00361

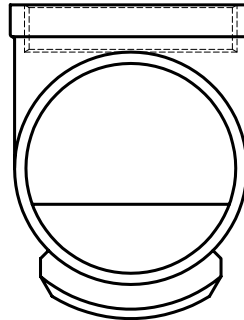
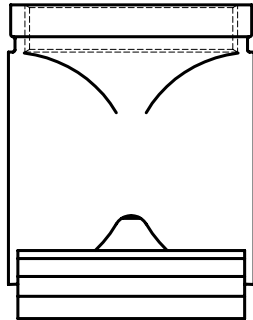
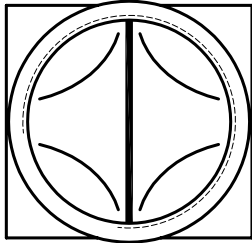
REV.: **A**



463



464



464RP

OPW Fluid Transfer Group
Europe B.V. A COMPANY

P.O. Box 32, 2150 AA NIEUW VENNEP
THE NETHERLANDS
Tel. (31) 252 660 300
Fax. (31) 252 687 258
Internet <http://www.opw-ftg.nl/>

TITLE: DEFLECTOR AL
3" & 4" (NPT FEMALE)

THIS DRAWING IS THE EXCLUSIVE PROPERTY OF OPW-FTG EUROPE B.V.. IT IS SUBMITTED ON THE CONDITION THAT THE DESIGNS CONTAINED THEREIN BE HELD CONFIDENTIAL, AND IS SUBJECT TO RETURN ON DEMAND. © COPYRIGHT 2004

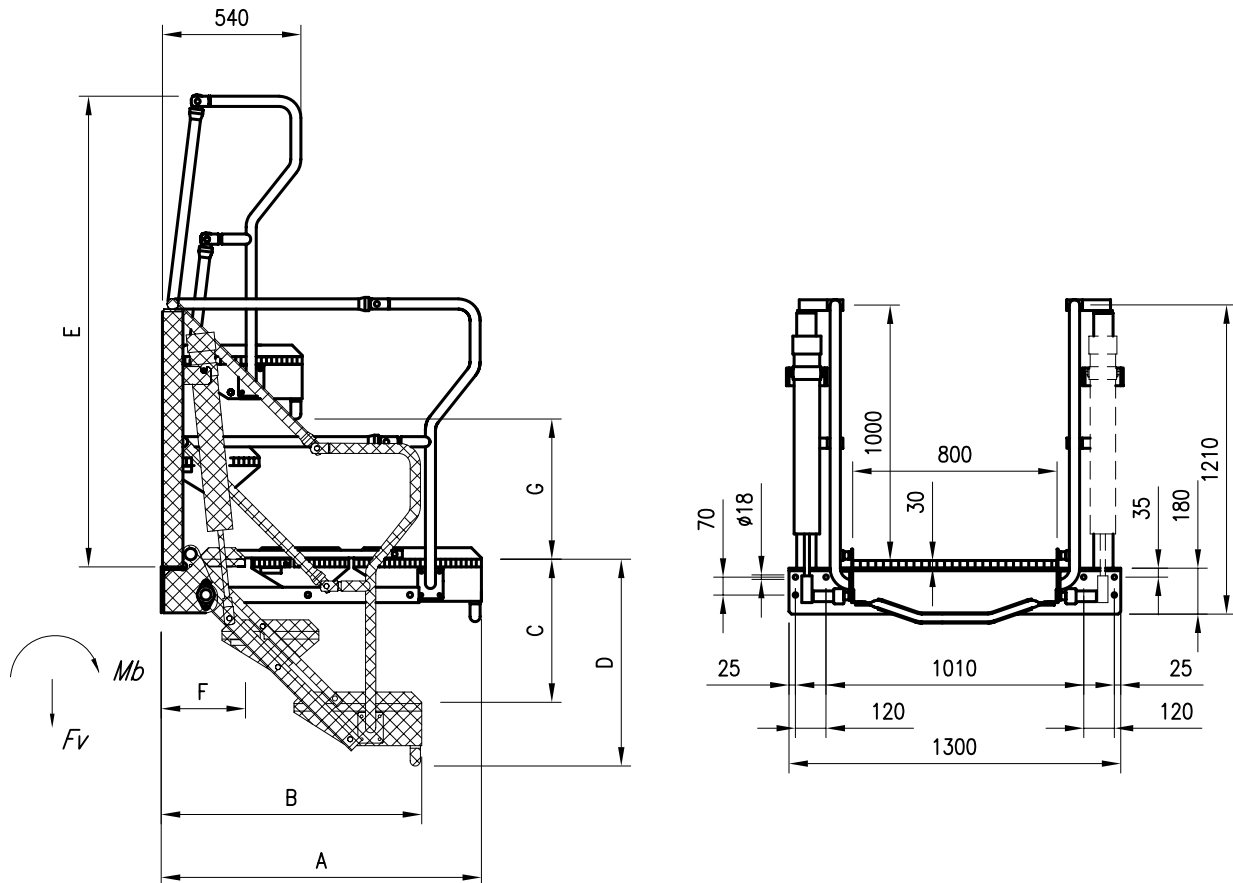
DRAWN: FVDM
DATE: 30-AUG-2001

SIZE	SHEET	SCALE
A4	1 OF 1	none

SHEET No.

DS00303

REV.: A



MODEL	No. OF STEPS	DIMENSIONS							LIVE LOAD		MAX. LOAD ON FRONT EDGE OF PLATFORM	
		A	B	C	D	E	F	G	kg	kN	F _v	M _b
		mm	mm	mm	mm	mm	mm	mm			kN	kNm
SU8003-STG	3	1250	1000	550	800	1820	335	560	200	1,96	5,39	2,65
SU8004-STG	4	1650	1300	850	1100	2200	335	960	220	2,16	6,77	4,51
SU8005-STG	5	2050	1600	1150	1400	2620	335	1360	260	2,55	8,24	6,86
SU8006-STG	6	2465	1820	1220	1470	3025	335	1750	320	3,14	12,00	15,00

OPTIONS

- 1) SAFETY CAGE AVAILABLE IN 1400x1400 OR 1400x2800 mm
- 2) SPECIAL DIMENSIONS ON REQUEST

NOTE; DEPENDING ON MODEL AND MOMENT LOAD OF THE FOLDING STAIRS ONE OR TWO SPRINGS ARE NEEDED

OPW Fluid Transfer Group
Europe B.V. A COMPANY

P.O. Box 32, 2150 AA NIEUW VENNEP
THE NETHERLANDS
Tel. (31) 252 660 300
Fax. (31) 252 687 258
Internet <http://www.opw-ftg.nl/>

TITLE:

STEP UNIT

THIS DRAWING IS THE EXCLUSIVE PROPERTY OF OPW-FTG EUROPE B.V.. IT IS SUBMITTED ON THE CONDITION THAT THE DESIGNS CONTAINED THEREIN BE HELD CONFIDENTIAL, AND IS SUBJECT TO RETURN ON DEMAND. © COPYRIGHT 2004

DRAWN:

FVDM

DATE:

11-NOV-2002

SIZE
A4

SHEET
OF 1

SCALE
none

SHEET No.

DS00325

REV.:
C