

Strip down process for Epsilon Adaptors being sent to Assentech Service Centre

Step 1
Identify Adaptor to be stripped for servicing.

Step 2
Record Serial Numbers/Part Numbers and any unique markings.

Step 3
Record site location, confirm reference number to be detailed on test certificates.

Step 4
Dismantle In accordance with OPW Epsilon Manual Version 9 P50-51

Step 5
Dispose of parts numbered 1,12,13,14,16,18,21 on exploded diagram (attached but also detailed in OPW Epsilon Manual Version 9 P15).

Step 6
Check the Handle Part 8 for any splits, cracks or crazing of the cover. If damage is found remove cover and dispose of. Also check for any obvious damage to the steel body. Once checks have been carried out inform Supervisor so spares can be ordered through Assentech if needed.

Step 7
Check Body Part 15 for damage paying attention to the locating lugs on the mating face. Also check tapered leading edge for damage.

Any issues contact Assentech Engineers On 01726 844707



Step 8
Clean and decontaminate all stripped parts by understanding and fulfilling your company's chemical decontamination protocol.

Step 12
INITIAL EACH STEP OF THIS PROCEDURE

Step 11
Put all Adaptors/parts to be serviced in shipping box clearly marked with "FAO Assentech Engineers – Epsilons Within"

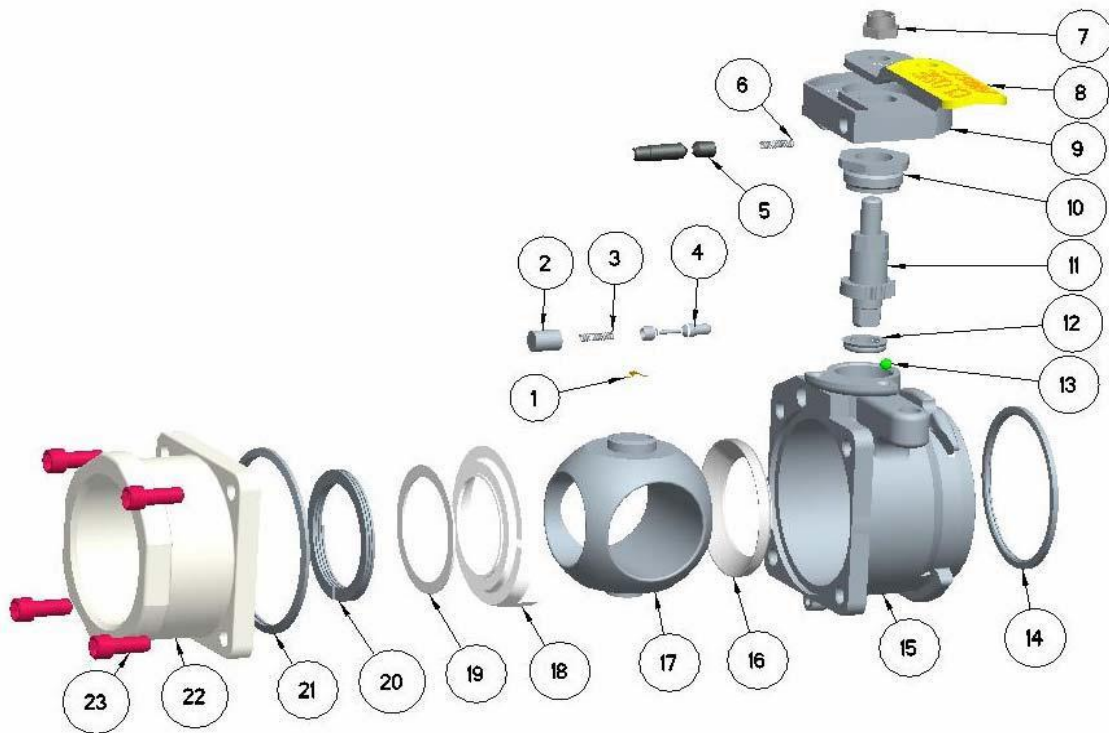
Step 11
Include packing list with shipment. Detail:-

- Units – model, serial number, ID for certificates and site location
- To be returned by date
- Your name and contact details

Step 10
Refer to drawing to ensure that all parts of the unit are packaged in shipment to Assentech.

Step 9
Place all cleaned and dried parts in a clear plastic bag with MSDS and decontamination cert attached externally.

EPSILON ADAPTER PARTS LIST / 1" - 3"

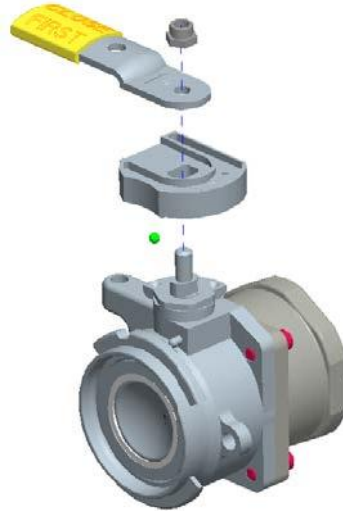


#	Item Description	Part Number 1"	Part Number 2"	Part Number 3"	Qty.
1	Spring, Conductivity	H31951M	H32017M	H31952M	1
2	Retainer, Body, Interlock Pin	CTL107A32-14	CTL107A32-14	ZE100112-001	1
3	Spring, Interlock, Body	CTL107A32-26	CTL107A32-26	ZE100119-018	1
4	Pin Interlock, Body	CTL107A16-09	CTL107A32-09	ZE100111-021	1
5	Pin, Interlock, Hub, incl. in Pos. 9				
6	Spring, Interlock, Hub, incl. in Pos. 9				
7	Handle Nut, Self Locking	CTL107A16-96	CTL107A32-96	ZE100117-001	1
8	Handle, Standard	ZE100201-030	ZE100204-030	ZE100104-003	1
9	Hub Assembly, EPSILON Adpt.	ZE00011	ZE00109	ZE00044	1
10	Bearing, Stem	ZE100177-007	ZE100176-007	ZE100086-007	1
11	Stem, Adpt.	ZE100060-002	ZE100313-001	ZE100105-001	1
12	Seal, Stem	ZE100194-040	ZE100012-40	ZE100096-040	1
13	Ball, Detent	ZE100170-039	ZE100170-039	CTL107A32-25	1
14	Seal, Transfer	ZE100195-040	ZE100655-040	ZE100097-040	1
14	Seal, Inverted Transfer	ZE100064-040	ZE100125-040	ZE100225-040	1
15	Body	CTL107A16-02	ZE100150-002	ZE100147-002	1
16	Seal, Ball	ZE100068-038	ZE100146-038	ZE1000942-038	1
17	Ball, Valve, Concave, T-bore	ZE100279-002	ZE100244-022	ZE100301-002	1
18	Retainer, Valve Ball	ZE100211-038	ZE100008-038	ZE100142-038	1
19	Washer, Wave Spring to Retainer	CTL107A16-54H	CTL107A32-54H	ZE100118-001	1
20	Wave Spring	CTL107A16-38H	ZE100191-004	ZE100084-001	1
21	Seal, Flange	ZE100182-040	ZE100079-040	ZE100098-040	1
22	Adapter, Adpt.				1
23	Screw	ZE100179-018	H20625M	ZE100120-024	4

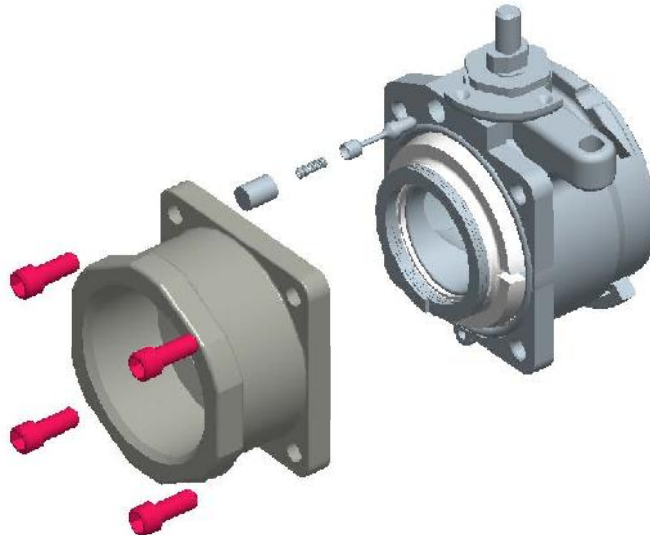
The "yellow" marked parts are included in the Seal Kits.

3.4 Detailed Disassembly (for seal replacement)

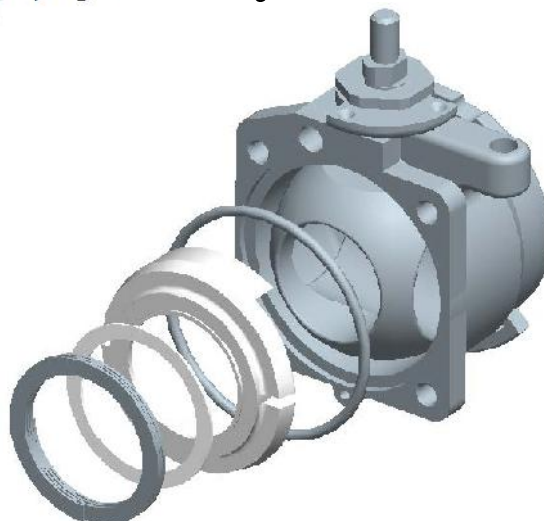
Disassembly of the Adapter/Process/Manifold Adapter Half

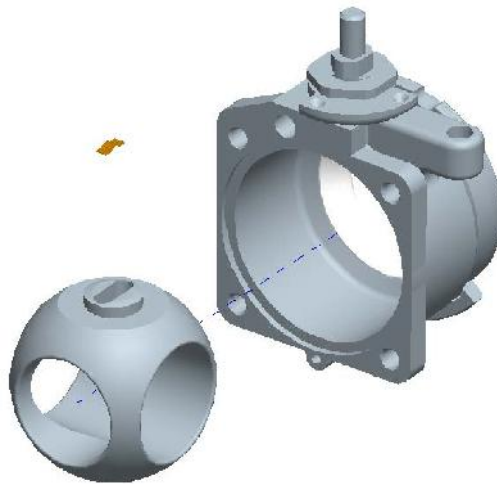


- Loosen handle nut and remove handle, handle hub assembly and detent ball

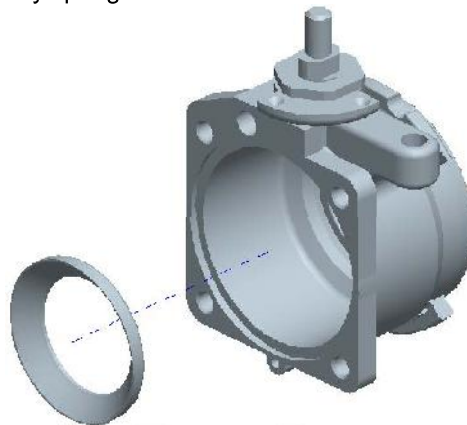


- Loosen flange bolts and remove flange, followed by interlock components
- Then remove ball seal / spring / washer / flange seal





- Remove ball and conductivity spring



- Pop ball seal out of body



- Unthread stem bearing and remove stem and stem seal
- Stem seal may hang up in the body. For removal, simply place thumb inside of body cavity underneath of seal spring and press seal out of the body through the stem bore.