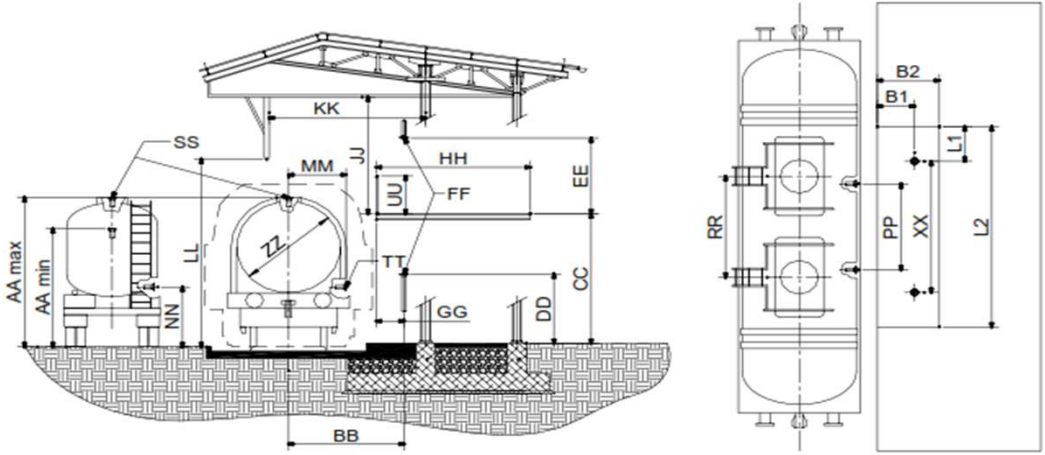




**Loading Arms**



**Top/Bottom loading quotation data sheet**



*End User (Country)		*End User (name)	
Loading Arm Diameter & Type		*Quantity	
*Flow Rate	m <sup>3</sup> /hr	*Medium	
*Operating Pressure	Bar	*Operating Temp.	°C
*Vapour Pressure	mbar	Viscosity	cP
Material of construction			

**NOTE: Information marked \* is required as a minimum, without this information the enquiry/order cannot be handled**

Dimension	in mm	Description
AA min		
AA max		
BB		
CC		
DD		
EE		
FF		
GG		
HH		
JJ		
KK		
LL		
MM		
PP		
RR		
SS		
TT		
UU		
XX		
ZZ		

**Note: when dimensions of loading arms are specified by client then the table below should be completed.**

Dimensions by Client?	Yes	No
-----------------------	-----	----

<b>Note:</b> All dimensions in mm. Measured from Centreline to Centreline	Boom Length (B-G type loaders)	mm
	Primary arm length (all loader types)	mm
	Secondary arm length (C-H type loaders)	mm
	Hose assembly length (all hose loaders)	mm
	Drop tube/end assy (all loaders)	mm

Shut-off valve/valve type	
Level sensor/type	
Vapour recovery cone	