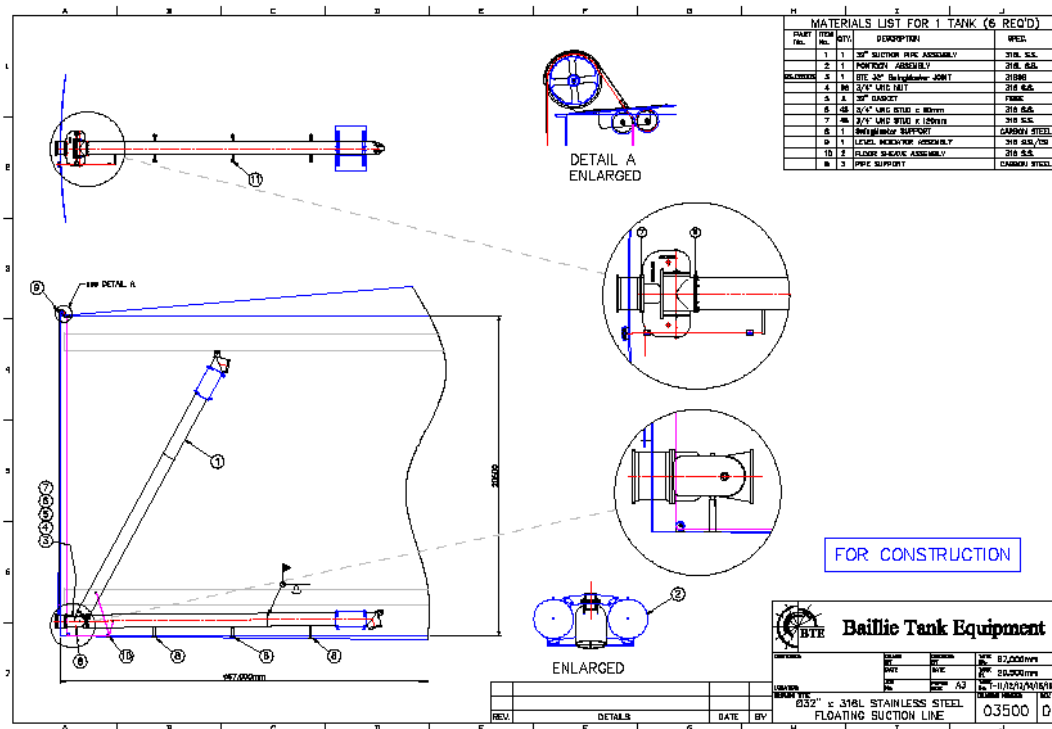




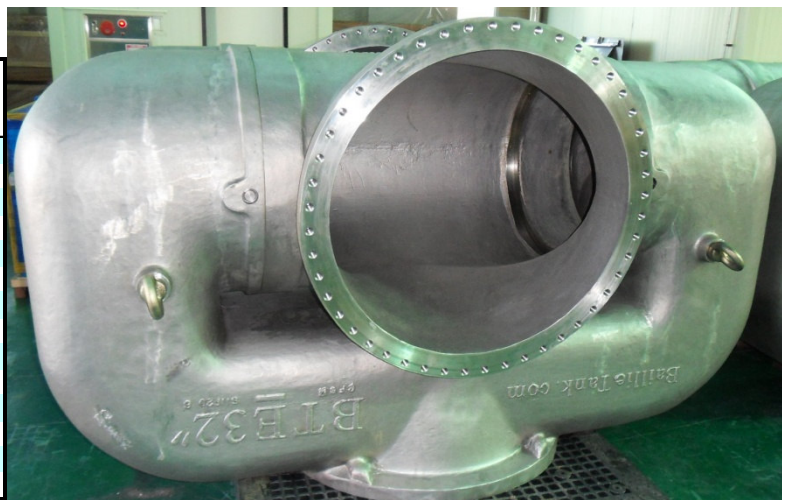
SwingMaster Swing Joints for Floating Suction Lines

BTE SwingMaster central type swing joints are the ideal choice for floating suction lines. Constructed in rugged cast ductile iron with plain Ni-Resist bearings (copper free). BTE SwingMaster swing joints are internally & externally epoxy painted for Jet A1 service using Interline 850 paint. 100% cast stainless steel joints are available to special order. SwingMaster joints are available in 4" through to 36" size. Larger sizes are available on application. SwingMaster standard flanges are ANSI 150# Flat Face.



32" Stainless Steel SwingMaster ▶

	METRIC:	INCH:
Size	minimum opening in tank for SwingMaster entry	minimum opening in tank for SwingMaster entry
4	230 x 320 or Ø380	9.25" x 12.5" or 15"Ø
6	290 x 380 or Ø480	11.5" x 15" or 19"Ø
8	360 x 470 or Ø590	14" x 18.5" or 23.5"Ø
10	420 x 560 or Ø700	16.5" x 22" or 27.5"Ø
12	500 x 680 or Ø850	20" x 27" or 33.5"Ø
14	550 x 740 or Ø930	22" x 29" or 37"Ø
16	620 x 820 or Ø1030	24.5" x 32.5" or 40.5"Ø
18	650 x 910 or Ø1120	26" x 36" or 44"Ø
20	710 x 950 or Ø1190	28" x 37.5" or 47"Ø
24	830 x 1130 or Ø1400	33" x 44.5" or 55"Ø
26	900 x 1200 or Ø1450	36" x 48" or 58"Ø
30	990 x 1290 or Ø1630	39" x 51" or 64"Ø
32	1060 x 1380 or Ø1800	42" x 55" or 71"Ø
36	1200 x 1520 or Ø2000	48" x 60" or 79"Ø

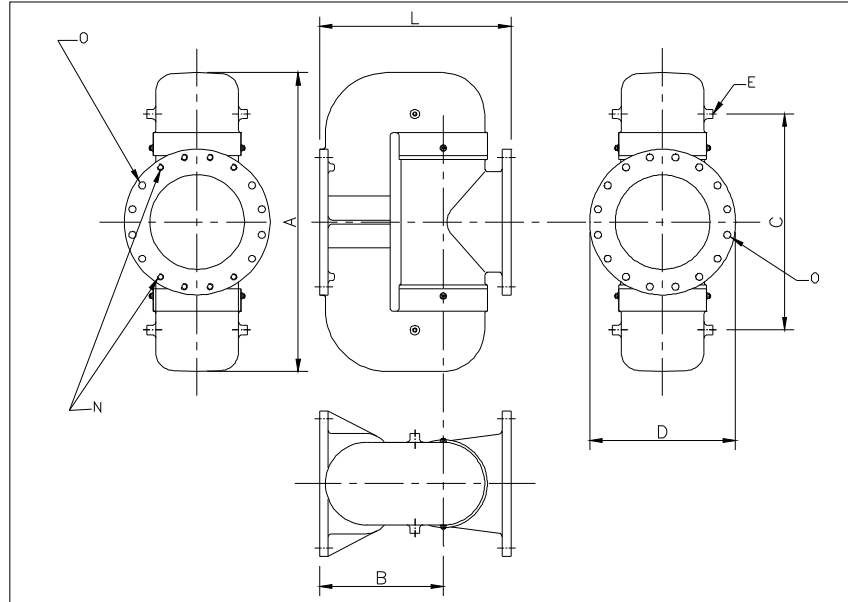


BTE Tank Products include:

- Aluminium & Stainless IFRs
- Geodesic Dome Roofs
- Floating Suction lines & Skimmers
- SwingMaster swing joints 4" ~ 36"
- Floating Roof Tank Primary & Secondary Seals
- Floating Roof Tank Drain Systems



SwingMaster Swing Joints For Floating Suction Lines



METRIC:

Size inch	DIMENSION mm					flange tapped holes N	flange drilled holes O mm	flange bolt circle P.C.D. mm	lifting lug tapped holes E	Rotation Torque kg-m	Weight kg
	A	B	C	D	L						
4	447	180	-	229	295	4 x 5/8" UNC	4+ 8 x 19.0dia	190.50	-	5	51
6	536	232	393	279	371	4 x 3/4" UNC	4+ 8 x 22.4dia	241.30	4 x M10	6.0	66
8	658	281	482	343	449	4 x 3/4" UNC	4+ 8 x 22.4dia	298.45	4 x M12	12.0	114
10	824	338	592	406	538	8 x 7/8" UNC	4+12 x 25.4dia	361.95	4 x M16	15.0	190
12	1007	417	707	483	652	8 x 7/8" UNC	4+12 x 25.4dia	431.80	4 x M16	18.5	296
14	1083	452	779	534	709	8 x 1" UNC	4+12 x 28.6dia	476.20	4 x M16	27.9	349
16	1224	506	885	597	783	8 x 1" UNC	8+16 x 28.6dia	539.70	4 x M16	31.9	495
18	1377	570	996	635	881	8 x 1 1/8" UNC	8+16 x 31.8dia	577.90	4 x M16	35.9	638
20	1410	614	1041	699	940	12 x 1 1/8" UNC	8+20 x 31.8dia	635.00	4 x M20	39.9	838
24	1714	715	1229	813	1090	12 x 1 1/4" UNC	8+20 x 35.0dia	749.30	4 x M24	47.9	1241
26	1932	759	1323	786	1163	16 x 3/4" UNC	20+36 x 22.35dia.	744.47	2 x M24	50.0	1285
30	2078	832	1460	984	1285	16 x 1 1/4" UNC	12+28 x 35 dia	914.40	2 x M30	64.0	1944
32	2226	888	1600	1060	1376	16 x 1 1/3" UNC	12+28 x 41dia	977.90	2 x M30	80.0	2200
36	2576	984	1780	1057	1513	28 x 7/8" UNC	16+44x25.4dia.	1009.70	2 x M30	105.0	3672

INCH:

Note: 4" SwingMaster joints are in 316 stainless steel as standard.

Size inch	DIMENSION inch					flange tapped holes N	flange drilled holes O inch	flange bolt circle P.C.D.inch	lifting lug tapped holes E	Rotation Torque ft-lbf	Weight lb
	A	B	C	D	L						
4	17.6	7.087	-	9.0	11.61	4 x 5/8" UNC	4+ 8 x 5/8"dia	7.50	-	36	112
6	21.1	9.134	15.47	10.98	14.61	4 x 3/4" UNC	4+ 8 x 7/8"dia	9.50	4 x M10	43	145
8	25.9	11.06	18.98	13.5	17.68	4 x 3/4" UNC	4+ 8 x 7/8"dia	11.75	4 x M12	87	251
10	32.4	13.31	23.31	16.0	21.18	8 x 7/8" UNC	4+12 x 1"dia	14.25	4 x M16	108	418
12	39.6	16.42	27.83	19.0	25.67	8 x 7/8" UNC	4+12 x 1"dia	17.00	4 x M16	133	651
14	42.6	17.8	30.67	21.0	27.91	8 x 1" UNC	4+12 x 1 1/8"dia	18.75	4 x M16	201	768
16	48.2	19.92	34.84	23.5	30.83	8 x 1" UNC	8+16 x 1 1/8"dia	21.25	4 x M16	230	1089
18	54.2	22.44	39.21	25.0	34.69	8 x 1 1/8" UNC	8+16 x 1 1/4"dia	22.75	4 x M20	259	1404
20	55.5	24.17	40.98	27.5	37.01	12 x 1 1/8" UNC	8+20 x 1 1/4"dia	25.00	4 x M20	288	1844
24	67.5	28.15	48.39	32.0	42.91	12 x 1 1/4" UNC	8+20 x 1 3/8"dia	29.50	4 x M24	345	2730
26	76.1	29.88	52.09	30.9	45.79	16 x 3/4" UNC	12+20 x 7/8"dia.	29.31	2 x M24	361	2827
30	81.8	32.76	57.48	38.7	50.59	16 x 1 1/4" UNC	12+28 x 1 1/8"dia	36.00	2 x M30	462	4277
32	87.6	34.96	62.99	41.8	54.17	16 x 1 1/3" UNC	12+28 x 1 5/8"dia	38.50	2 x M30	577	4840
36	101	38.74	70.08	41.6	59.57	28 x 7/8" UNC	16+44 x 1"dia	39.75	2 x M30	758	8078

Baillie Tank Equipment
Sydney, Australia
Tel: +61 2 9317 5900
Fax: +61 2 9317 5911
Sydney@BaillieTank.com

www.baillietank.com

Baillie Tank Equipment
Seoul, Korea
Tel: +82 31 949 6854
Fax: +82 31 949 6866
Seoul@BaillieTank.com

