

opw[®]

Engineered Systems



INSTRUMENTATION PRODUCTS & ACCESSORIES

- SIGHT FLOW PRODUCTS • PRESSURE SENSING EQUIPMENT
- VALVES • OVERFILL DETECTION

OPW Engineered Systems, part of the OPW Fluid Transfer Group, provides expert solutions for the safe handling, transfer, monitoring, measuring and protection of hazardous bulk products worldwide.



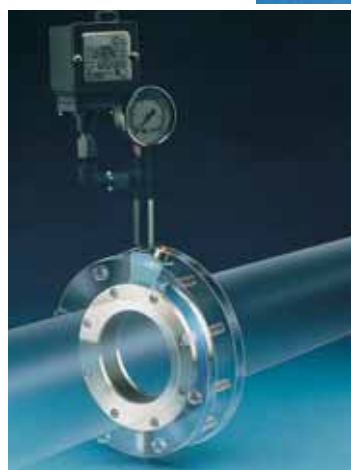
OPW Engineered Systems specializes in the engineering, designing and manufacturing of systems for the safe and efficient loading and unloading of critical hazardous materials: loading systems, swivel joints, instrumentation, quick and dry disconnect systems and safety breakaways.



TABLE OF CONTENTS

Visi-Flo® SIGHT FLOW INDICATORS	4-5
SELECTION: PERFORMANCE SPECIFICATIONS . . .	6
APPLICATIONS	7-8
1400 & 1500 SERIES FLANGED	9-10
1400 & 1500 SERIES THREADED	11-12
1700 SERIES	13
1600 SERIES	14
1300 SERIES	15
ORDERING INFORMATION	16
CHEMICAL AND INDUSTRIAL VALVES	17
ISOLATION RINGS	18-22
OVERFILL DETECTION	23

**Visi-Flo®
Sight Flow
Indicators**



**Iso-Ring®
Non-Plugging
Pressure
Isolation Rings**



Overfill Detection

Autolok, Drylok, Twin-Kam, Endura, GFL, Cliplok and Spring Ring are trademarks, and OPW®, Visi-Flo®, Kamvalok® and Kamlok® are registered trademarks of OPW Engineered Systems. Hastelloy® is a registered trademark owned by Haynes International, Inc. Viton®, Delrin® and Kalrez® are registered trademarks of DuPont Dow Elastomers. Teflon® is a registered trademark of DuPont. Chemraz® is a registered trademark of Green Tweed. Scully® and BICLOPS® are registered trademarks of Scully Signal Co. Ryton® is a registered trademark of Chevron Phillips Chemical.





OVERVIEW

OPW Engineered Systems offers products that monitor, sense and reveal the fluids in your operation. Whether you're monitoring petroleum products, liquefied gases, solvents, or hazardous, corrosive chemicals, OPW instrumentation and accessories help you keep fluids under control. We can work with you to develop the right equipment for your application.

Proven Experience in Transfer Applications

Keeping your operation running smoothly means having dependable equipment and systems to handle your fluid requirements. You can't afford downtime for repairs and maintenance that cost you lost hours and money. For more than 60 years, OPW Engineered Systems has provided innovative solutions for some of the most challenging liquid handling applications, including, for example, the following industries:

- Chemicals
- Petroleum
- Petrochemicals
- Asphalt
- Solvents
- Food
- Agriculture
- Metalworking
- Steel

Full Line of Standard and Custom Systems

Customization is a hallmark of our comprehensive product offerings. Our product designs meet the modest demands of simple applications as well as the critical needs of major chemical and petroleum facilities throughout the world.

Quality Control for Dependable Operation

Our manufacturing and testing procedures meet or exceed industry standards. All products are rigorously tested to ensure high quality. CNC equipment is used to machine all critical dimensions within precise tolerances to ensure that each product meets our rigid engineering specifications.

Additional testing, including radiography as well as material certifications, can be provided to meet your specific requirements.

Innovative Products Designed for Safety

Our design efforts are supported by a state-of-the-art CAD system for faster, more accurate responses to your technical requests. We specialize in designing products that safely handle fluids, and, at the same time, solve problems.

Rely on OPW Service and Support

We provide in-depth technical assistance and work with you in designing and selecting the best product for your application. Our knowledgeable sales representatives are skilled in coordinating the steps involved in solving your fluid handling problems. This personalized professional service ensures your satisfaction. Support personnel are also available to assist you in determining which product design is best suited for your application. On-site evaluation and instrumentation recommendations are available upon request.

OPW continually strives to maintain its leadership position in the industry by responding to your needs and supplying the high-quality, dependable systems you require to ensure uptime, productivity and profitability.





SIGHT FLOW INDICATORS

SEEING IS BELIEVING

OPW Engineered Systems offers a complete line of sight flow indicators, including the popular VISI-FLO® series, full-view series, and sight windows.

OPW's sight flow indicators provide a quick, reliable and inexpensive way to verify flow rate and direction, and monitor color and clarity in fluid lines.

Available in a variety of sizes, styles and materials for a wide range of industrial applications, all OPW sight flow indicators are tested to 1-1/2 times rated pressure to ensure maximum reliability in harsh operating conditions.

IMPORTANT: OPW products should be used in compliance with applicable federal, state, provincial, and local laws and regulations. Product selection should be based on physical specifications and limitations and compatibility with the environment and materials to be handled. OPW MAKES NO WARRANTY OF FITNESS FOR A PARTICULAR USE. All illustrations and specifications in this literature are based on the latest product information available at the time of publication. OPW reserves the right to make changes at any time in prices, materials, specifications and models and to discontinue models without notice or obligation.

SIGHT FLOW INDICATORS

AN INSIGHTFUL VIEW INTO HOW THESE COST-EFFICIENT VISUAL MONITORS CAN HELP CONTROL INDUSTRIAL FLUID PROCESSES

Dollar for dollar, sight flow indicators are the most cost efficient and effective way to visually monitor the flow of fluids and to determine where, if any, problems exist at certain points along the industrial process line.

These inexpensive, relatively simple devices – installed directly in the process line – allow operators to qualitatively observe flow rate, direction, color and clarity.

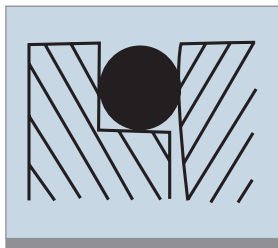
The various readings are visible through a glass viewing lens.

Sight flow indicators can be deployed in one of two ways: (1) either individually at critical points along fluid lines where changes, interruptions or contamination of fluids are likely to occur; or (2) together in banks where the simultaneous monitoring of multiple fluid lines is necessary.

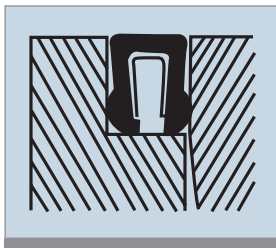
No-Leak Guarantee

Due principally to the failure of conventional flat seals, the complaint most often registered against sight flow indicators is that they leak.

VISI-FLO® is guaranteed not to leak for three full years under normal use. The key design attributes that enable OPW's innovative radial sealing design is so good, it's guaranteed not to leak!



- Elastomer radial seal with memory retention for shape creates steady sealing force between the outside diameter of the lens and the sight flow indicator body.



- Teflon® lip/spring seal with constant spring expansion force maintains sealing by holding the edges of the Teflon® lip seal against the outside diameter of the glass and the sight flow indicator body.



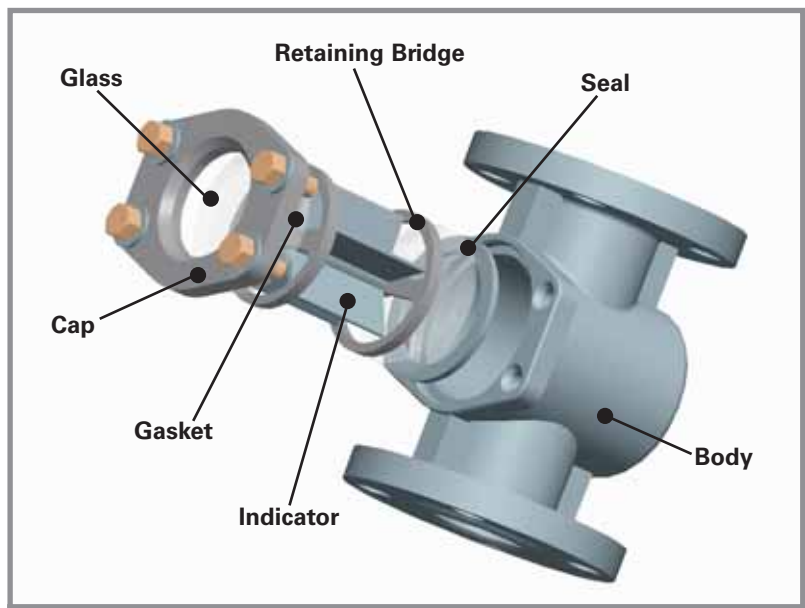
Tie Rod Design



VISI-FLO® Bolt-On Design

Easy Access Bolt-On Design

VISI-FLO's® unique bolt-on design fastens the face plate assembly directly to the body with no special torquing sequence. This provides quick, complete access to the unit from the front side, which gives companies the flexibility to install VISI-FLO® in locations where other sight flow indicators cannot be installed due to clearance problems. Tie rod design sight flow indicators present challenges when it comes to fastening the lens and seal to the body.



**Bridge Design not used in 3" and 4" sizes*

Note: VISI-FLO's® unparalleled modular design allows maintenance personnel to interchange or replace internal assemblies without taking the indicator out of the line. This optimizes uptime and saves on replacement and reordering costs.

SELECTING THE RIGHT SIGHT FLOW INDICATOR

Placing the right sight flow indicators in the right places is not only a proven way to save considerable time and money, but also a sure-fire formula for identifying and repairing process-line problem areas reliably and efficiently.

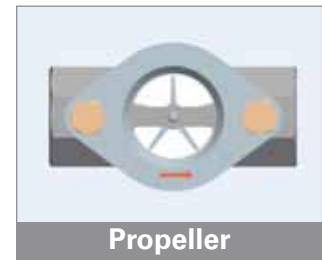
For example:

- Opaque liquids are best shown by a propeller indicator.
- A bi-directional flapper is the indicator of choice to indicate flow and flow direction.
- A plain bi-directional sight flow indicator without a flapper is best in instances where observing color and clarity is more important than verifying flow.
- Drip tube, used in vertical lines, is ideal for gravity flow as well as for extremely low or intermittent flow.

Installation options include threaded, flanged, and socket or butt weld ends.



Bi-Directional Plain



Propeller



Bi-Directional Flapper



Drip Tube

Material Selection Chart:

(shows factors that determine the selection of materials)

Influencing Factors	Components				
	Body Metal	Seals	Glass Lens	Indicator Material	Indicator Type
Fluid Compatibility	■	■	■	■	■
Fluid Color				■	■
Temperature	■	■	■	■	
Pressure	■		■		
Flow Rate					■
Pressure Drop					■
Environment	■	■	■		

While selecting the right type of indicator is relatively easy, the more difficult task is determining which materials are most appropriate and cost-effective for the job.

Variables to be considered include:

Body Material

- Bronze, ductile iron, carbon steel and stainless steel are standard.
- Special materials, such as Monel® and Hastelloy®, are also available.

Seal Material

- Buna-N, Viton®-A, copolymers of ethylene and propylene, neoprene and Teflon® are commonly used for specific chemical applications.
- Choice of seal material usually dictates temperature limitation.

Glass Type

- Soda-lime and borosilicate, available in annealed or tempered, are the two most common types.
- Mica shields (or similar protection) for the glass are effective when steam is present in the process line.
- Optional shields for installation above the glass are recommended.

IMPORTANT: OPW products should be used in compliance with applicable federal, state, provincial, and local laws and regulations. Product selection should be based on physical specifications and limitations and compatibility with the environment and materials to be handled. OPW MAKES NO WARRANTY OF FITNESS FOR A PARTICULAR USE. All illustrations and specifications in this literature are based on the latest product information available at the time of publication. OPW reserves the right to make changes at any time in prices, materials, specifications and models and to discontinue models without notice or obligation.

APPLICATIONS

One of the key strengths of sight flow indicators is their remarkable versatility. For example, they can be used:

- In a variety of industries.
- To monitor and verify fluid flow through filter, cooling, intake/outlet pumping lines, as well as numerous other industrial processes.
- For troubleshooting or as backups for meters, switches, process indicators and other control devices.

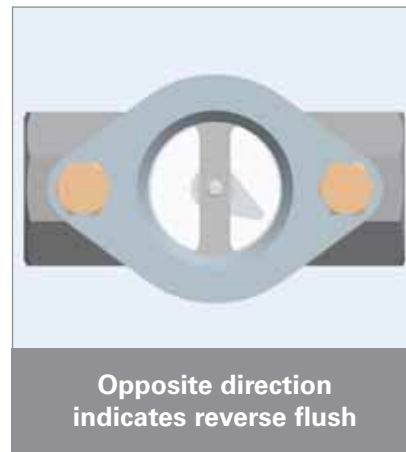
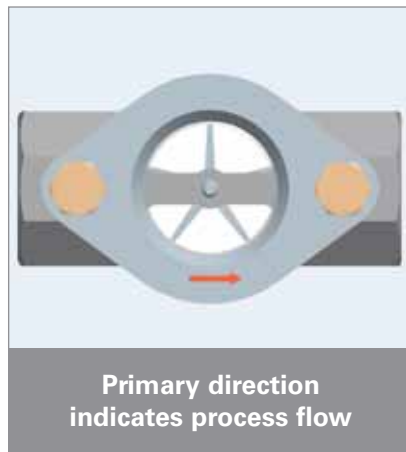
Following are a series of examples where a line problem required the versatility of a VISI-FLO® Sight Flow Indicator solution.



Preventing Coolant Tank Overflow

Problem: Coolant mixture for machine tools periodically overflows, creating spills on the floor of a major pump manufacturing plant. Coolant mixture contained in holding tank enters through open feed line. Electric float switches in coolant tanks close solenoid valve automatically to prevent flow when high level sensor in holding tank is activated. Float switches turn off filling indicator light to alert operator. When overflow occurs, filling indicator light turns off properly; however, solder or other foreign material obstructs solenoid valve, keeping it from closing fully. Tank continues to receive coolant, which causes overflow.

Solution: Install VISI-FIO® next to solenoid valve. By observing propeller indicator, operator is able to determine when valve is open or closed. When tank filling light shuts off, operator checks indicator to verify flow has stopped.



Monitoring Process and Purge

Problem: Several different chemicals use a common line in different stages of the operation at a large chemical plant. After use of each chemical, reverse flush is employed to purge line. Sight flow indication needed to monitor back flush process and be compatible with different chemicals.

Solution: Operators must be able to see flow direction and easily monitor the process and purge cycles. VISI-FIO® indicators featuring bi-directional flapper are specified.

APPLICATIONS

Power Plants

New Power Plants: Sight flow indicators monitor the flow of critical fluids, such as lubricants pumped to turbines in hydro-electric generators and water in cooling lines.

Older Power Plants: New, more reliable sight flow indicators replace aging models (and additional indicators are also deployed) during upgrades.

Waste Water Treatment

VISI-FLO® sight flow indicators visually monitor the filtering process.

The most common point of installation: second stage aeration tank pumping lines.

The purpose: verify sludge removal to ensure efficient aeration.

Petroleum Industry

Sight flow indicators visually monitor drilling pump operations. In the photo below, VISI-FLO® is used to show dirty fluids being pumped from a down-hole hydraulic cleaning process. Should the indicator stop, this is a signal to the operator that the system is not cleaning properly and needs corrective action.



Chemical Industry

Paint and Varnish Processing Plants: VISI-FLO® sight flow indicators are used to notify operators when filters become clogged. Any drops in flow rate or discoloration of blended resins that pass through the press are indications that new filters are needed.

Distilling Operations: Sight flow indicators are used to gauge color and clarity of fluids. An amber fluid color indicates proper distillation; a brown-to-black color signals the process has been disrupted and requires corrective action.

Refineries: Sight flow indicators are used to monitor the draining of water from the bottom of storage tanks. The visual presence of oil in the indicator is a signal that the water is completely drained.

Manufacturing

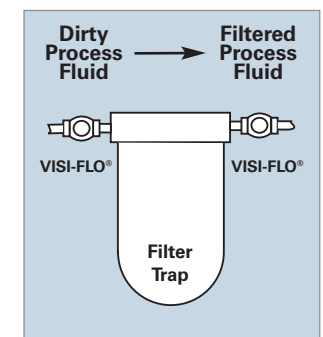
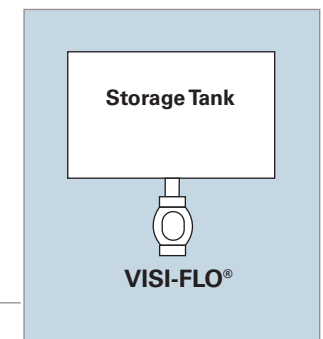
VISI-FLO® sight flow indicators are used in a variety of manufacturing applications, including, for example, to monitor:

- The draining of hydraulic oil from nitrogen charged accumulators in die casting machine manufacturing facilities.
- Proper coolant flow, which is so vital to the operation of welding machines.
- Efficient filtration of process fluids.

OEM Markets

VISI-FLO® sight flow indicators are used in an array of OEM applications, including, for example:

- Compressor manufacturers install them on their products so end users can monitor the flow of water to compressor heads while in operation.
- Degreasing and defluxing equipment manufacturers use them to monitor recirculating solvent in cleaning operations and, thus, determine efficiency of the distillation/recovery process.
- Evaporators and filtration system manufacturers use them to monitor color and clarity of fluids in outlet lines and to confirm proper intake of fluids on inlet lines.



1400 & 1500 SERIES (FLANGED)

OPW Engineered Systems has been manufacturing Sight Flow Indicators for over 60 years. Our experience has led to many innovations in design and manufacturing, making VISI-FLO® the most thoroughly-engineered Sight Flow Indicator on the market. VISI-FLO's are available in two series: the Standard 1400 Series, and the 1500 High-Pressure High-Temperature Series.

Standard Features

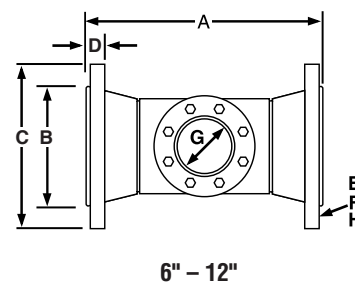
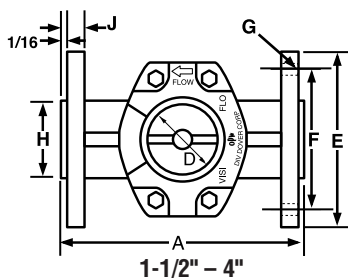
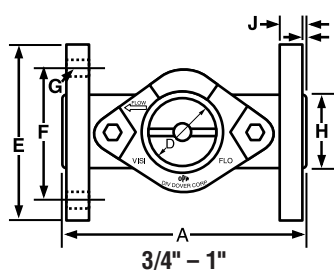
- **Exclusive 3-Year "No-Leak" Guarantee -**
VISI-FLO's innovative radial seal creates a constant and uninterrupted sealing force between the body and outside diameter of the glass lens. This sealing method provides a longer lasting and better seal than conventional flat seals.
- **Maintenance-Free Design -** VISI-FLO's unique, bolt-on-body design requires no special maintenance or torquing sequence be followed to prevent leaks. This results in a safer, more reliable sight flow indicator than those units using tie rods to fasten lens and seal to body.
- **Dimensionally Interchangeable - "FJP" Flanged**
VISI-FLO's feature end-to-end dimensions that match Jacoby-Tarbox and Penberthy and other manufacturers' units. "FJP" units are available in 3/4", 2", 3", and 4".
- **Shipment Within 48 Hours on Most Items**
- **Rated for Full Vacuum Service**
- **Four Indicator Styles**
 - a. **Propeller** - The best way to show flow of opaque liquids. Ideal for observation at a distance. Flow from right to left is standard. Specify if left to right flow is needed. Not recommended for flow rates above 100 GPM.
 - b. **Bi-Directional Flapper** - This indicator points in either direction to show you at a glance which way the liquid is flowing.
 - c. **Bi-Directional Plain** - When the color and clarity of your liquid are of prime importance.
 - d. **Drip Tube** - Ideal for gravity, extremely low or intermittent flow. Keeps product from dripping on the glass. Assures constant see-through for vertical lines



Maximum Pressure/Temperature Ratings for Visi-Flo® Sight Flow Indicators

Series	End Connection	Maximum ASME Pressure	Maximum Temperature
1400	Flanged 6" to 12"*	150 psig @ 150° F	150° F @ 150 psig
	Flanged 1/4" to 4"*	200 psig @ 150° F	250° F @ 135 psig
1500	Flanged (Carbon Steel)*	285 psig @ 100° F	350° F @ 215 psig
	Flanged (Stainless Steel)*	275 psig @ 100° F	350° F @ 205 psig
	Flanged (Ductile Iron)*	245 psig @ 100° F	350° F @ 165 psig

* With standard seals. Temperatures up to 500° F possible with High Temp PTFE Seals.



Dimensions for Flanged VISI-FLO®

	3/4"		1"		1-1/2"		2"		3"		4"		6"		8"		10"		12"	
	in.	mm	in.	mm	in.	mm	in.	mm	in.	mm	in.	mm	in.	mm	in.	mm	in.	mm	in.	mm
A Overall Length	4 5/8	117	5	127	6 1/2	165	7	178	8	203	9	229	14 1/4	362	16 1/8	410	16 1/8	410	17 1/8	435
"FJP" Overall Length	4 5/8	117	N/A		*		7 7/8		9 3/8		11		*		*		*		*	
D Diameter of Sight Opening	1 1/2	38	1 1/2	38	2	51	2	51	3	76	3	76	4	102	4	102	4	102	4	102
E Flange Dia.	3 7/8	98	4 1/4	108	5	127	6	152	7 1/2	191	9	229	11	279	13 1/2	343	16	406	19	483
F Bolt Circle Dia.	2 3/4	70	3 1/8	79	3 7/8	98	4 3/4	121	6	152	7 1/2	191	9 1/2	241	11 3/4	298	14 1/4	362	17	432
G (#Bolt Holes) Size	(4) 5/8	(4) 16	(4) 5/8	(4) 16	(4) 5/8	(4) 16	(4) 3/4	(4) 19	(4) 3/4	(4) 19	(8) 3/4	(8) 19	(8) 3/4	(8) 19	(8) 3/4	(8) 19	(12) 7/8	(12) 22	(12) 7/8	(12) 22
H Dia. of Raised Face	1 11/16	43	2	51	2 7/8	73	3 5/8	92	5	127	6 3/16	157	8 1/2	216	10 5/8	270	12 3/4	324	15	381
J Thickness of Flange	1/2	13	15/32	12	19/32	15	11/16	17	13/16	21	1	25	1	25	1 1/8	29	1 3/16	30	1 1/4	32
Total Weight (lbs.)	5.2		5.4		11.1		15		29.3		35		85		125		165		250	

*Dimensionally interchangeable with standard flanged VISI-FLO®

Pressure/Temperature Ratings

1400 Series Flanged VISI-FLO® (Standard

Pressure/Temperature)

Temperature		psig (Barg)		
(F)	(C)	Steel	316 SST	Ductile Iron
-20 to 150	-29 to 65	200 (13.8)	200 (13.8)	200 (13.8)
200	93	165 (11.4)	165 (11.4)	165 (11.4)
225	105	150 (10.3)	150 (10.3)	150 (10.3)
250	121	135 (9.3)	135 (9.3)	135 (9.3)
<i>With Optional Seals</i>				
300	149(6.9)	100 (6.9)	100 (6.9)	100 (6.9)
350	177(4.8)	70 (4.8)	70 (4.8)	70 (4.8)
400	204(2.4)	35 (2.4)	35 (2.4)	35 (2.4)

1500 Series Flanged VISI-FLO®

Temperature		psig (Barg)		
(F)	(C)	Steel	316 SST	Ductile Iron
-20 to -100	-29 to -38	285 (19.7)	275 (19.0)	245 (16.8)
150	65	270 (18.6)	255 (17.6)	225 (15.5)
200	93	260 (17.2)	240 (16.6)	200 (13.8)
225	105	250 (16.8)	230 (15.9)	195 (13.4)
300	149	230 (15.9)	215 (14.8)	180 (12.4)
350	177	215 (14.8)	205 (14.4)	165 (11.4)
<i>With Optional Seals</i>				
400	204	200 (13.8)	195 (13.4)	150 (10.3)
450	232	185 (12.8)	180 (12.4)	135 (9.3)
500	260	170 (11.7)	170 (11.7)	120 (8.3)

Seal & Indicator Operating Temperatures

Material	Degrees F	Degrees C
Seals		
Neoprene (1400 series standard)	-20 to 250	-29 to 121
Viton® (1500 series standard)	0 to 350	-17 to 177
Buna-N	-30 to 250	-29 to 121
EPT	-20 to 250	-29 to 121
Teflon®	-40 to 450	-40 to 232
Indicators		
Delrin®	-40 to 250	-40 to 121
Ryton®	-40 to 450	-40 to 232
Teflon®	-40 to 450	-40 to 232

Construction and Material

Body:	Steel 316 Stainless Steel Ductile Iron Optional Materials:	ASTM A216 WCB ASTM A351 CF8M ASTM A536 65-45-12 Hastelloy®, Alloy® 20, Monel®, Others upon request
Windows:	1400 Series 1500 Series *Annealed Borcsilicate used on sizes 3" and above.	Tempered Soda Lime* Tempered Borosilicate
Indicators:	1400 Series 1500 Series Optional Materials:	Delrin® Ryton® Teflon®
Seals:	1400 Series 1500 Series See page 16 for seal options.	Neoprene (Std.) Viton® (Std.)
Connections:	Steel 316 Stainless Steel Ductile Iron Options	ASME B16.5 150 lb.RF Flange ASME B16.5 150 lb.RF Flange ASME B16.1 125 lb.RF Flange ASME B16.5 300 lb.RF Flange
Options:	Protective Shield (1400SK): Pressure/Temperature Probe:	Polycarbonate lens cover Consult Factory

Ordering Information see page 16.

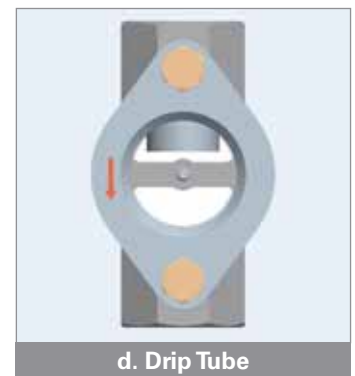
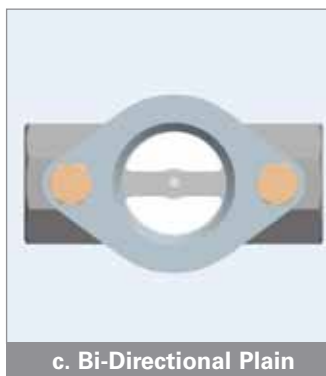
IMPORTANT: OPW products should be used in compliance with applicable federal, state, provincial, and local laws and regulations. Product selection should be based on physical specifications and limitations and compatibility with the environment and materials to be handled. OPW MAKES NO WARRANTY OF FITNESS FOR A PARTICULAR USE. All illustrations and specifications in this literature are based on the latest product information available at the time of publication. OPW reserves the right to make changes at any time in prices, materials, specifications and models and to discontinue models without notice or obligation.

1400 & 1500 SERIES (THREADED)

OPW Engineered Systems has been manufacturing Sight Flow Indicators for over 60 years. Our experience has led to many innovations in design and manufacturing, making VISI-FLO® the most thoroughly-engineered Sight Flow Indicator on the market. VISI-FLO's are available in two series: the Standard 1400 Series, and the 1500 High-Pressure High-Temperature Series.

Standard Features

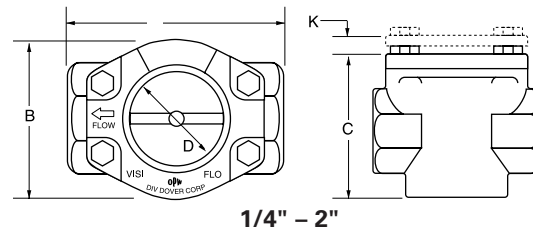
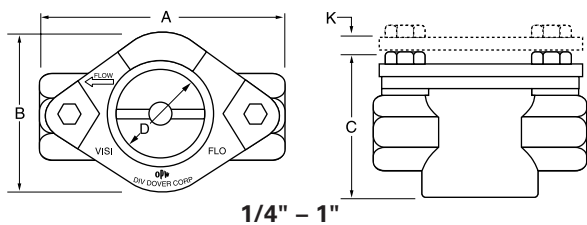
- **Exclusive 3-Year "No-Leak" Guarantee** - VISI-FLO's innovative radial seal creates a constant and uninterrupted sealing force between the body and outside diameter of the glass lens. This sealing method provides a longer lasting and better seal than conventional flat seals.
- **Maintenance-Free Design** - Visi-Flo's unique, bolt-on-body design requires no special maintenance or torquing sequence be followed to prevent leaks. This results in a safer, more reliable sight flow indicator than units using tie rods to fasten lens and seal to body.
- **Shipment Within 48 Hours on Most Items**
- **Rated for Full Vacuum Service**
- **Four Indicator Styles**
 - a. **Propeller** - The best way to show flow of opaque liquids. Ideal for observation at a distance. Flow from right to left is standard. Specify if left to right flow is needed. Not recommended for flow rates above 100 GPM.
 - b. **Bi-Directional Flapper** - This indicator points in either direction to show you at a glance which way the liquid is flowing.
 - c. **Bi-Directional Plain** - When the color and clarity of your liquid are of prime importance.
 - d. **Drip Tube** - Ideal for gravity, extremely low or intermittent flow. Keeps product from dripping on the glass. Assures constant see-through for vertical lines.



Maximum Pressure/Temperature Ratings for Visi-Flo® Sight Flow Indicators

Series	End Connection	Maximum ASME Pressure	Maximum Temperature
1400	Threaded 1/4" to 4"*	200 psig @ 150° F	250° F @ 150 psig
1500	Threaded **	400 psig @ 150° F	350° F @ 200 psig

* With standard seals. Temperatures up to 150° F possible with High Temp PTFE Seals.
 ** With standard seals. Temperatures up to 500° F possible with High Temp PTFE Seals.



General Dimensions for Threaded VISI-FLO®

	1/4"		3/8"		1/2"		3/4"		1"		1-1/4"		1-1/2"		2"	
	in.	mm	in.	mm	in.	mm	in.	mm	in.	mm	in.	mm	in.	mm	in.	mm
A Overall Length	3 1/4*	83	3 1/4*	83	3 1/4*	83	4 1/4**	108	4 1/4**	108	5 1/4***	133	5 1/4***	133	5 1/2***	140
B Overall Width	2	51	2	51	2	51	2 1/8	65	2 1/8	65	3 1/8	84	3 1/8	84	3 1/8	84
C Overall Height (1400 series)	2 3/8	60	2 3/8	60	2 3/8	60	3 1/4	83	3 1/4	83	4 1/8	110	4 5/16	110	4 5/16	110
Overall Height (1500 series)	2 3/8	65	2 3/8	65	2 3/8	65	3 3/8	87	3 3/8	87	4 1/2	114	4 1/2	114	4 1/2	114
D Diameter of Sight Opening	1 1/8	29	1 1/8	29	1 1/8	29	1 1/2	38	1 1/2	38	2	51	2	51	2	51
K Added Height Due to Shield	7/16	11	7/16	11	7/16	11	1/2	13	1/2	13	1 1/2	13	1/2	13	1/2	13
Total Weight (lbs.)	1.6		1.6		1.4		3.0		2.7		8.4		7.9		6.6	

*Stainless steel units are 3 5/8" **Bronze units are 4 1/8" ***Stainless Steel units are 5 5/8"

Pressure/Temperature Ratings
1400 Series Threaded VISI-FLO® (Standard Pressure/Temperature)

Temperature		psig (Barg)			
(F)	(C)	Steel	316 SST	Bronze	Ductile Iron
-20 to 150	-29 to 65	200 (13.8)	200 (13.8)	200 (13.8)	200 (13.8)
200	93	165 (11.4)	165 (11.4)	165 (11.4)	165 (11.4)
225	105	150 (10.3)	150 (10.3)	150 (10.3)	150 (10.3)
250	121	135 (9.3)	135 (9.3)	135 (9.3)	135 (9.3)
<i>With Optional Seals (see below)</i>					
300	149 (6.9)	100 (6.9)	100 (6.9)	100 (6.9)	100 (6.9)
350	177 (4.8)	70 (4.8)	70 (4.8)	70 (4.8)	70 (4.8)
400	204 (2.4)	35 (2.4)	35 (2.4)	35 (2.4)	35 (2.4)

1500 Series Flanged VISI-FLO®

Temperature		psig (Barg)			
(F)	(C)	Steel	316 SST	Bronze	Ductile Iron
-20 to -150	-29 to 65	400 (27.6)	400 (27.6)	400 (27.6)	400 (27.6)
200	93	350 (24.1)	350 (24.1)	350 (24.1)	350 (24.1)
250	121	300 (20.7)	300 (20.7)	300 (20.7)	300 (20.7)
300	149	240 (16.6)	240 (16.6)	240 (16.6)	240 (16.6)
350	177	200 (13.8)	200 (13.8)	200 (13.8)	200 (13.8)
<i>With Optional Seals (see below)</i>					
400	204	160 (11.0)	160 (11.0)	160 (11.0)	160 (11.0)
450	232	120 (8.3)	120 (8.3)	120 (8.3)	120 (8.3)
500	260	80 (5.5)	80 (5.5)	80 (5.5)	80 (5.5)

Seal and Indicator Operating Temperatures

Material	Degrees F	Degrees C
Neoprene (1400 series standard)	-20 to 250	-29 to 121
Viton® (1500 series standard)	0 to 350	-17 to 177
Buna-N	-30 to 250	-34 to 121
EPT	-20 to 250	-29 to 121
Teflon®	-40 to 450	-40 to 232
Indicators		
Delrin®	-40 to 250	-40 to 125
Ryton®	-40 to 450	-40 to 232
Teflon®	-40 to 450	-40 to 232

Construction and Material

Body:	Steel 316 Stainless Steel Ductile Iron Bronze Optional Materials:	ASTM A216 WCB ASTM A351 CF8M* *6" and larger ASTM A351 CF3M (316L) ASTM A536 65-45-12 ASTM B62 83600 Hastelloy®, Alloy® 20, Monel®, Others upon request
Windows:	1400 Series 1500 Series	Tempered Soda Lime Tempered Borosilicate
Indicators:	1400 Series 1500 Series Optional Materials:	Delrin® Ryton® Teflon®
Seals:	1400 Series 1500 Series See page 17 for seal options	Neoprene (Std.) Viton® (Std.)
Connections:	1400 Series 1500 Series Options Socket Weld BSP	ASME B1.20 FNPT ASME B1.20 FNPT ASME B16.11 ASME BS21
Options:	Protective Shield (1400SK): Pressure/Temperature Probe:	Polycarbonate lens cover Consult Factory

Ordering Information see page 16.

IMPORTANT: OPW products should be used in compliance with applicable federal, state, provincial, and local laws and regulations. Product selection should be based on physical specifications and limitations and compatibility with the environment and materials to be handled. OPW MAKES NO WARRANTY OF FITNESS FOR A PARTICULAR USE. All illustrations and specifications in this literature are based on the latest product information available at the time of publication. OPW reserves the right to make changes at any time in prices, materials, specifications and models and to discontinue models without notice or obligation.

1700 SERIES - LOW PRESSURE

OPW Engineered Systems 1700 Series Flow Indicators provide a transparent pipeline segment, giving operators a full 360° viewing area. Ideal for applications requiring maximum visibility with minimal pressure drop. Units are only recommended for piping systems with minimal mechanical strains.

Designed to carry 70, 120 and 150 psig ratings. The 1700 Series is available in both flanged and threaded ends.

Standard Features

- **Impact Deterrent Shields** – Shatter resistant polycarbonate shields are standard on both threaded and flanged units.
- **Dimensionally Interchangeable** – Full-Views feature end-to-end dimensions that match Jacoby-Tarbox and Penberthy and other manufacturers' units.
- **Shipment Within 48 Hours on Most Items**
- **Two Indicator Styles**
 - Plain** - Provides essentially a transparent pipeline segment to detect the presence or absence of solutions, or to observe fluids for turbulence, color or clarity.
 - Drip Tube** - Mounted vertically, provides 360° viewing of very low or intermittent flow rates.

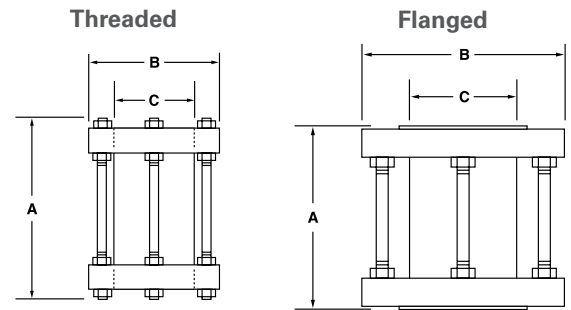


- **Minimal Flow Restriction and Pressure Drop**
- **360° Viewing Area**
- **Standard Sizes** - Threaded Units: 1/8"-2", Flanged Units: 1"-4"
- **Standard Alloys** - Carbon Steel, 316 Stainless Steel

Maximum Pressure/Temperature Ratings

Series	End Connection	Maximum ASME Pressure	Maximum Temperature
1700	1/8" to 1"	150 psig @ 100° F	250° F @ 150 psig
	1-1/2"	120 psig @ 100° F	250° F @ 120 psig
	2 - 3"	100 psig @ 100° F	250° F @ 100 psig
	4"	70 psig @ 100° F	250° F @ 70 psig

With standard Buna-N seals.



General Dimensions for Full-View Sight Flow Indicators

Threaded	1/8"		1/4"		3/8"		1/2"		3/4"		1"		1-1/2"		2"	
	in.	mm	in.	mm	in.	mm	in.	mm	in.	mm	in.	mm	in.	mm	in.	mm
A Overall Length	4 1/2	114	4 1/2	114	4 1/2	114	4 1/2	114	4 1/2	114	4 1/2	114	4 3/4	121	5 1/2	140
B Overall Width (O.D.)	4	102	4	102	4	102	4	102	4	102	4 1/2	114	5 1/4	133	5 3/4	146
C Cylinder Width (O.D.)	1 3/4	44	1 3/4	44	1 3/4	44	1 3/4	44	1 3/4	44	2	51	2 1/2	64	3	76
Total Weight (lbs.)	2		2		2		2		2		3		5		8	
Working Pressure (psig)	150		150		150		150		150		150		120		100	

Flanged	1"		1-1/2"		2"		3"		4"	
	in.	mm	in.	mm	in.	mm	in.	mm	in.	mm
A Overall Length	4	102	4	102	4 3/4	121	5 3/4	137	7 1/2	191
B Overall Width (O.D.)	4 3/4	111	5 3/4	130	6 3/4	156	7 3/4	194	9 3/4	232
C Cylinder Width (O.D.)	1 3/4	44	2 1/4	64	3	76	4	102	5	127
Total Weight (lbs.)	3		4		6		15		23	
Working Pressure (psig)	150		120		100		100		70	

Pressure/Temperature Ratings

Temperature		psig (Barg)*				
(F)	(C)	1/8" - 1"	1-1/2"	2"	3"	4"
-20 to 100	-29 to 38	150 (10.3)	120 (8.3)	100 (6.9)	100 (6.9)	70 (4.8)
150	65	150 (10.3)	120 (8.3)	100 (6.9)	100 (6.9)	70 (4.8)
200	93	150 (10.3)	120 (8.3)	100 (6.9)	100 (6.9)	70 (4.8)
225	105	150 (10.3)	120 (8.3)	100 (6.9)	100 (6.9)	70 (4.8)
250	121	150 (10.3)	120 (8.3)	100 (6.9)	100 (6.9)	70 (4.8)
300	149	150 (10.3)	120 (8.3)	100 (6.9)	100 (6.9)	70 (4.8)
350	177	150 (10.3)	120 (8.3)	100 (6.9)	100 (6.9)	70 (4.8)
400	204	150 (10.3)	120 (8.3)	100 (6.9)	100 (6.9)	70 (4.8)
450	232	150 (10.3)	120 (8.3)	100 (6.9)	100 (6.9)	70 (4.8)

*Ratings are for Steel or Stainless Steel units

Material

Construction

Seal Operating Temperatures

End Caps:	Carbon Steel 316 Stainless Steel	ASTM A216WCB ASTM A351CF8M	
Cylinders:	Annealed Borosilicate		
Gaskets:	Buna-N (Standard)		-30°F to 250°F -34°C to 121°C
	Viton®		-20°F to 350°F -29°C to 177°C
	Teflon®		-40°F to 450°F -40°C to 232°C
	Options: Consult Factory		
Protective Shield:	Polycarbonate		
Connections:	Flanged	ASME B16.5 150lb.RF	
	Threaded	ASME B1.20 FNPT	

Ordering Information see page 16.

1600 SERIES

OPW 1600 Series Sight Flow Indicators are manufactured of quality materials and safety tested to assure long, dependable service at economical prices. Good for monitoring critical fluid flow, lubricant, coolant lines and sprinkler systems.

Benefits

- Economical prices
- Allows you to quickly verify flow, and monitor color and clarity in fluid lines
- 48 Hours delivery available to help minimize down time

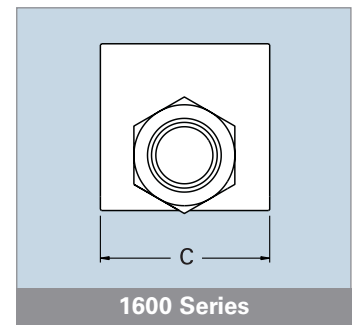
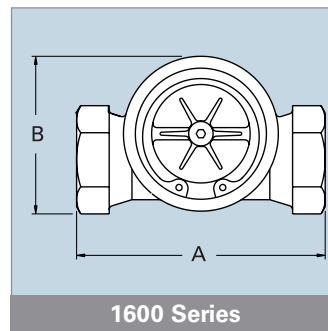
Standard Features

- Brass construction
- Single and double window designs
- Sizes From 1/8"- 2"
- 125 psig Pressure Rating
- Available with or without rotor
- FNPT or BSPT connections

Physical Data

Maximum Pressure:	125 psig
Maximum Temperature:	200° F (93° C)
Seals:	Buna-N standard on all 1600 Series. Alternative seals available on request.
Glass Type:	Tempered Soda lime
Threads:	NPT or BSPT
Indicator:	ABS
Body:	Bronze

Ordering Information see page 16.



General Dimensions for 1600 Series

Size	1/8" - 3/8"	1/2" - 3/4"	1" - 1 1/4"	1 1/2" - 2"
A Overall Length	3 3/16"	3 13/16"	4 3/8"	4 5/8"
B Overall Height	2 1/8"	2 7/16"	3 1/8"	4"
C Overall Width	2 7/32"	2 7/16"	3"	3 13/16"

1300 SERIES

OPW Engineered Systems 1300 Series Sight Windows allow internal observation of pressure vessels, storage tanks, silos, pipelines, etc. Large viewing area offers easy observation into your processes. Unique radial O-ring design eliminates problems associated with traditional sealing arrangements.

Standard Features

- **Exclusive 3-Year "No-Leak" Guarantee** – Innovative radial sealing design is guaranteed against leakage for 3 years.
- **300 psig ASME Service Ratings**
- **Maintenance-Free Design**
- **Shipment Within 48 Hours on Most Items**
- **Large 4" Viewing Area**
- **Available in Flat Weld Pad or Weld Neck Versions**
- **Tempered Borosilicate Window**
- **225°F Temperature Rating** – 225°F with standard neoprene seals. Temperature up to 450°F possible with optional seals.
- **Standard Size: 4"**
- **Standard Alloys**
Carbon Steel
316 Stainless Steel

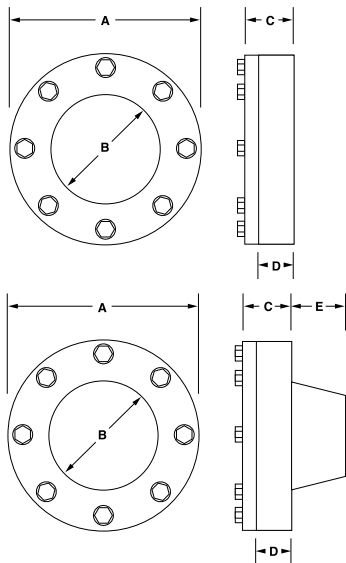


Standard Ratings/Components

Series	Maximum ASME Pressure ¹	Maximum Temperature	Cylinder	Seals
1300	300 psig @ 100° F	250° F @ 240 psig ¹	Tempered Borosilicate	Neoprene

¹For Carbon Steel unit.

General Dimensions for 1300 Series Sight Flow Windows



Flat Weld Pad

	4"	
	in.	mm
A Overall Width	7	170
B Viewing Area (O.D.)	4	102
C Overall Height	1 1/8	46
D Adaptor Height	1 3/8	33
Total Weight (lbs.)		10.5
Working Pressure (psig)		300

Weld Neck

	4"	
	in.	mm
A Overall Width	7	178
B Viewing Area (O.D.)	4	102
C Overall Height	1 13/16	46
D Adaptor Height	1 5/8	33
E Weld End	2	51
Total Weight (lbs.)		11
Working Pressure (psig)		300

Construction and Material

Body: Carbon Steel and 316 Stainless Steel

Windows: Tempered Borosilicate

Seals: Neoprene (Std.) See page 17 for seal options.

Options: Protective Shield (1400SK) Polycarbonate

Pressure/Temperature Ratings 1300 Series

Temperature		psig (Barg)*	
(F)	(C)	Steel	316 SST
-20 to 100	-29 to 38	300	300
150	65	287	277
200	93	275	255
225	105	265	247
250	121	257	240
300	149	240	225
350	177	225	215
400	204	210	205
450	232	192	197
500	260	175	190

*Ratings are for Steel or Stainless Steel units.

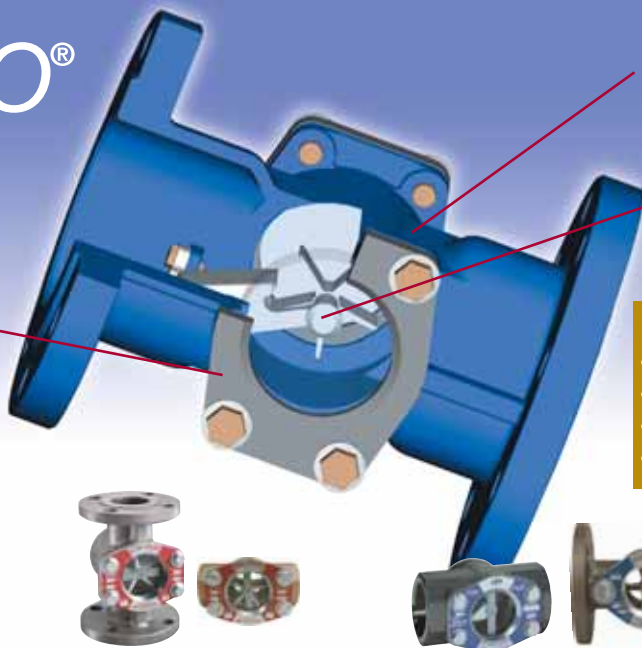
Seal Operating Temperatures

Material	Degrees F	Degrees C
Seal		
Neoprene (Standard)	-20 to 250	-29 to 121
Buna-N	-30 to 250	-34 to 121
Viton®	-20 to 350	-29 to 177
EPT	-20 to 250	-29 to 121
Teflon®	-40 to 450	-40 to 232

Ordering Information see page 16.

VISI-FLO®

Sight Flow Indicators



Bolted glass retainers eliminate routine maintenance

Unique radial seal prevents leakage

Four indicator choices cover every application

Flow monitoring made easy

- Quick, reliable flow verification
- Easy monitoring of fluid color and clarity
- Economical, maintenance-free design
- 3-year warranty... guaranteed not to leak



1300 Series

Window units with large 4" viewing area for internal observation of tanks, pipelines and more



1400 Series

Standard pressure/temperature units in flanged and threaded styles



1500 Series

High pressure/temperature units in flanged and threaded styles



1700 Series

Low pressure units in flanged (shown) and threaded styles feature 360° viewing area, Borosilicate cylinders, and impact deterrent shields

Your guide to the industry's most complete line of sight flow indicators

Indicator Styles



Plain - When fluid color/clarity is of prime importance (bi-directional)



Propeller - Ideal for opaque fluids and observation from a distance (right to left flow std., specify other)



Flapper - Points in either direction to show fluid flow (bi-directional)



Drip Tube - Ideal for gravity, intermittent or extremely low flow, prevents fluid from dripping on glass (vertical lines only)

Ordering Chart Call OPW Customer Service at 800-547-9393 for complete ordering information

Construction

- 2 - Carbon Steel
- 3 - Bronze
- 7 - 316 Stainless Steel
- 8 - Ductile Iron
- 9 - Alloy 20

Other construction materials available

Indicator Material

- D - Delrin® (Std. 1400 Series, white)
- R - Ryton® (Std. 1500 Series, brown)
- T - Teflon® (Std. 6" - 12", white)
- C - Carbon Steel (Drip Tubes only)
- S - Stainless Steel (Drip Tubes only)

End Connections

- Blank - FNPT
- F - ASME 150 Lb. Flange
- B - British Threaded
- FJP - Flanged Replacement
- FT - ASME 300 Lb. Flange
- SW - Socket Weld

1520RF-0201

Series

- 13 - 1300 Series (4" only)
- 14 - 1400 Series
- 15 - 1500 Series
- 17 - 1700 Series

See charts below for temperature and pressure ratings.

Indicator

- 0 - Plain
- 1 - Propeller (1/4" to 4" only)
- 2 - Flapper
- 3 - Drip Tube
- 4 - Low Flow (1/4", 3/8", 1/2" only)

Shielding

- Blank - Not Shielded
- SK - Shielded

Seal Materials

- 1 - Buna-N (Std. 1700 Series)
- 2 - Viton® (Std. 1500 Series)
- 3 - Teflon®
- 4 - EPT
- 5 - Neoprene (Std. 1300/1400 Series)
- 6 - Kalrez®
- 7 - Teflon® - High Temperature
- X - Customer Specified

Size

001 - 1/8"	010 - 1"	040 - 4"
002 - 1/4"	012 - 1-1/4"	060 - 6"
004 - 3/8"	015 - 1-1/2"	080 - 8"
005 - 1/2"	020 - 2"	100 - 10"
007 - 3/4"	030 - 3"	120 - 12"

Availability of styles, sizes and materials may vary depending upon Visi-Flo configuration. Consult OPW Customer Service regarding your exact requirements.

Maximum Pressure/Temperature Ratings

1300 Series

Size	Max. ASME Pressure	Max. Temperature*
4"	300 PSIG at 100°F	250°F at 250 PSIG

* 316 SST unit with standard Neoprene seals

1400 Series

End Connection	Max. ASME Pressure	Max. Temperature*
Flanged (6" - 12")	150 PSIG at 150°F	150°F at 150 PSIG
Threaded/Flanged (1/4" - 4")	200 PSIG at 150°F	250°F at 135 PSIG

* With standard seals. Temperatures up to 500°F possible with High Temperature Teflon® seals.

Maximum Pressure/Temperature Ratings

1500 Series

End Connection	Materials	Max. ASME Pressure	Max. Temperature*
Threaded	All	400 PSIG at 150°F	350°F at 200 PSIG
Flanged	Carbon Steel	285 PSIG at 100°F	350°F at 215 PSIG
Flanged	Stainless Steel	275 PSIG at 100°F	350°F at 205 PSIG
Flanged	Ductile Iron	245 PSIG at 100°F	350°F at 165 PSIG

* With standard seals. Temperatures up to 500°F possible with High Temperature Teflon® seals.

1700 Series

Size	Max. ASME Pressure	Max. Temperature*
1/8" - 1"	150 PSIG at 100°F	250°F at 150 PSIG
1-1/2"	120 PSIG at 100°F	250°F at 120 PSIG
2" - 3"	100 PSIG at 100°F	250°F at 100 PSIG
4"	70 PSIG at 100°F	250°F at 70 PSIG

* With standard Buna-N seals

Temperature Range for Seal Materials

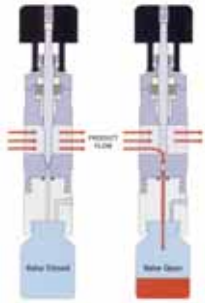
Seal Material	Minimum	Maximum
Neoprene (Std. 1300/1400 Series)	-20°F	250°F
Viton® (Std. 1500 Series)	0°F	350°F
Buna-N (Std. 1700 Series)	-30°F	250°F
EPT	-20°F	250°F
Teflon®	-40°F	450°F
Teflon® - High Temperature	0°F	500°F
Kalrez®	0°F	500°F



Sure Seal Beltech LBF Series Lined Butterfly Valve – This fully-lined butterfly valve is designed specifically for controlling and isolating corrosive, high-purity and abrasive process media. Conforms to API 609, MSS SP-67, ISO 5752/20 (5752/25 for 14"), PED 97/23/EC, MSS-SP25, ASME B16.5 and ISO 5211 (Mounting Flanges), and PN10 requirements.



Sure Seal Beltech BTSV Series Sample Valve System – specifically engineered for the environmentally safe collection of representative samples of lethal, toxic, and corrosive process media direct from process piping.



Sure Seal Series 899/892 Patented Butterfly Valves – Available in sizes 1"-12". Superior encapsulated design results in total encapsulation of the seat and disc/stem providing the ultimate in contamination free service.



Sure Seal Series 899/892 Investment Cast Stainless Patented Butterfly Valves – A superior sanitary valve for the chemical and food processing industry. Available in sizes 1"-12". Superior encapsulated design results in total encapsulation of the seat and disc/stem providing the ultimate in contamination free service.



Sure Seal Series 500/522 Heavy Industrial/Utility Butterfly Valves – Designed for general industrial applications, this valve is the ultimate resilient seated butterfly valve for industry applications. Available in a wide variety of materials for many service applications.



Sure Seal Series 600/622 HVAC/Contractor Butterfly Valves – Designed primarily with the HVAC market in mind, this valve features an extended neck and cartridge seat, making it the ideal choice for contractors.



- Sure Seal Series**
- 894 Sanitary Butterfly Valves
 - 895 Rotary Sanitary Butterfly Valves
 - 896 Tablet Sanitary Butterfly Valves

The ultimate valves for pharmaceutical and hygiene conscious industries. User-friendly design of the 894 allows for quick disassembly and cleaning. The 895 is ideal for granulars and powders and dispensing uniform amounts. The 896 is for hopper applications where valve cannot crush pills or tablets.



Sure Seal High Seal Series GTD/FSD/MTD High-Performance Butterfly Valves – Suitable for severe process lines. Bubble-tight bi-directional service. Sizes 2" – 60" for a wide range of applications.



Sure Seal Series 340/342 & 380/382 Nylon Coated Disc Butterfly Valves – The 300 Series offers the highest Cv rating of any nylon-coated valve on the market. 340/342 Series is schedule 40. 380/382 Series is scheduled 80.

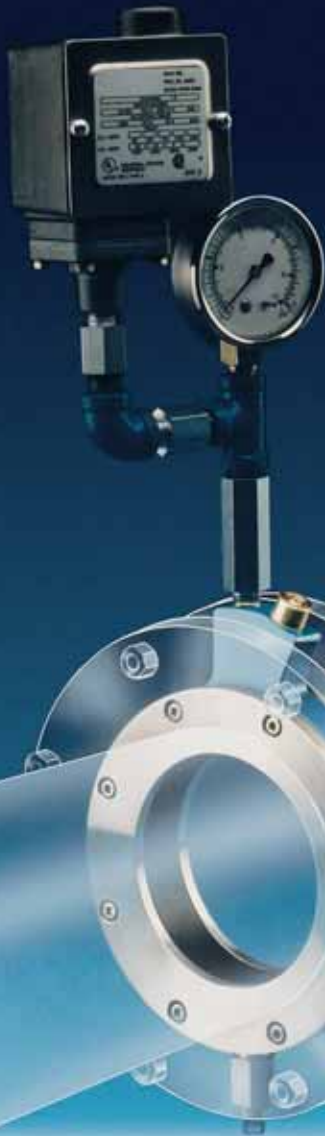


Sure Seal Beltech LBV Series 100 Lined Ball Valve, Full Port, Class 150 – Specifically designed for direct actuator mounting on 1"-6" valves. Conforms to ASME B16.5, B16.10, B16.42, ISO 5211 and MSS-SP25.



Sure Seal Beltech Bellows Sealed Globe Valves – Designed and engineered for complete elimination of fugitive emissions and bubble tight sealing in lethal, toxic, volatile, explosive and corrosive process media

UNLIKE DIAPHRAGM SEALS, NON-PLUGGING GAUGE ISOLATION RING ASSURES RELIABLE PRESSURE RATINGS



DIRECT

DIAPHRAGM
SEAL

ISO-RING®

ISO-RING®

The OPW Engineered Systems patented Gauge Isolation Ring, called ISO-Ring®, is designed to isolate gauges or pressure switches from solids in process flow and to ensure accurate pressure readings.

Clogging or fouling typically associated with diaphragm seals used in viscous fluid applications result in erroneous pressure readings. This is never a problem with the OPW ISO-Ring®.

ISO-Ring® utilizes a specially designed flush-mounted flexible inner cylinder, behind which is a clean, captive liquid. As process liquid flows through the pipe, it exerts pressure through the flexible cylinder to the captive liquid. Pressure is monitored by the gauge or the switch, which is completely isolated from the process flow.

The OPW Engineered Systems ISO-Ring is the same unit as the Ronninger-Petter unit. OPW Engineered Systems purchased the entire product line from them in 1996. Product specifications that currently read Ronninger-Petter ISO-Ring products should be changed to read OPW Engineered Systems products.

IMPORTANT: OPW products should be used in compliance with applicable federal, state, provincial, and local laws and regulations. Product selection should be based on physical specifications and limitations and compatibility with the environment and materials to be handled. OPW MAKES NO WARRANTY OF FITNESS FOR A PARTICULAR USE. All illustrations and specifications in this literature are based on the latest product information available at the time of publication. OPW reserves the right to make changes at any time in prices, materials, specifications and models and to discontinue models without notice or obligation.

ISO-RING®

There's a common refrain reverberating throughout the industrial world these days, and its message is unmistakably clear:

Out with the old diaphragm seal. In with the OPW Engineered Systems' ISO-Ring®.

Indeed, for the steady and growing number of companies embracing and implementing this simple call-to-action, something powerfully refreshing and highly reassuring is happening as process liquid flows through their pipes:

Process flow is smooth and uninterrupted; pressure readings are consistently reliable and accurate.

Thanks to OPW Engineered Systems' advanced, patented Gauge Isolation Ring, gone are the days when solids from the process flow plug the pressure-sensing mechanism or clog the access port on the diaphragm seal.

Features and Benefits

- Gauge (or switch) is in contact only with captive liquid and never directly with the process liquid.
- Isolating the gauge (or switch) from solids in process flow results in accurate readings.
- Gauge (or switch) can be removed for calibration, repair, or replacement – without interrupting process flow.
- Unique flexible cylinder prevents plugging, which means pressure readings are reliable and accurate.
- Integral design eliminates accidental breakage.
- Adaptable to a variety of process conditions and applications.
- Will not clog (which is not true of diaphragm seals).



Ordering Information

RING OR SPOOL	BODY MATERIAL	END FLANGE MATERIAL	TYPE	FILL	Gauge	SIZE	CYLINDER MATERIALS
OR = ISO Ring® OS = ISO Spool® OB = Bolt-Thru ISO-Ring®	CS = carb. stl. SS = 316 SST	1 = carb. stl. 2 = 316 SST 3 = carb. stl. w/ Teflon® envelope 4 = 316 SST Teflon® envelope 5 = cpvc (flat faced flange) 6 = cpvc - ISO-Spool only (raised faced flange) 7 = other 8 = Fully Wetted Teflon® (Bolt-Thru ISO-Ring) carb. stl. 9 = Fully Wetted Teflon® (Bolt-Thru ISO-Ring) 316 SST	N = without IRD** I = with IRD** T = Threaded* F = Fingd/150 Lb.* G = Fingd/300 Lb.* *Spool Only ** IRD = Instrument Removal Device	00 = less fill** 11 = propylene glycol 12 = distilled water 13 = mineral oil 14 = silicone oil 15 = vegetable oil 16 = glycerine 17 = fluorolube 18 = fluorosilicone 19 = other	00 = less gauge 01 = less gauge; 1/2" conn. 02 = 0-60 psi 03 = 0-100 psi 04 = 0-200 psi 05 = 0-400 psi 06 = 0-600 psi 08 = customer supplied 09 = other	010 = 1" 015 = 1.5" 020 = 2" 025 = 2.5" 030 = 3" 040 = 4" 050 = 5" 060 = 6" 080 = 8" 100 = 10" 120 = 12" 140 = 14" 160 = 16" 180 = 18" 200 = 20"	1 = buna-n 2 = Viton® 3 = Teflon® 4 = ept* 5 = silicone** 6 = white neoprene 7 = natural rubber 8 = other *Ring Only **Spool Only

Example: **ORCS 11 11 04 - 020 1**

ISO-Spool® For Small Diameter Piping

This patented product is designed to provide a large sensing area in smaller pipe diameters from 1" to 4". Offered in both NPT threaded and flanged models and available with flat or raised face.



Specifications

	ISO-Ring®	ISO-Spool®
Housing:	Carbon Steel 316 Stainless Steel	Carbon Steel
Assembly Flanges:	Carbon Steel 316 Stainless Steel CPVC	Carbon Steel 316 Stainless Steel CPVC Teflon® enveloped
Inner Flexible Wall:	Buna-N Teflon® ¹ Silicone ² Viton® White Neoprene Natural Rubber	up to 225 F (107 C) up to 350 F (177 C) up to 450 F (232 C) up to 350 F (177 C) up to 225 F (107 C) up to 225 F (107 C)
Captive Sensing Liquid:	50% Water/50% Prop. Glycol Silicone Oil (FDA Approved) Fluorosilicone Mineral Oil Distilled Water	-20 F to 200 F (-29 C to 93 C) -20 F to 450 F (-29 C to 232 C) -20 F to 450 F (-29 C to 232 C) 35 F to 225 F (1.7 C to 107 C) 35 F to 200 F (1.7 C to 93.3 C)

¹ Not Available in sizes 12" or larger ² ISO-Spool® only

Dimensions

ISO-Ring®

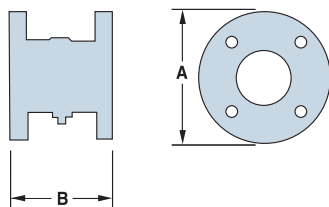
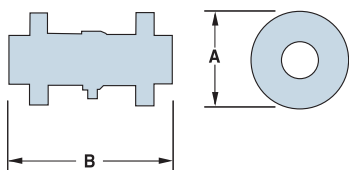
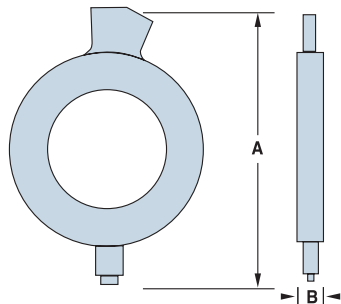
Pipe Size	A		B		Approx. Shipping Wt.	
	in.	mm	in.	mm	lbs	kg
2"	6- ¹ / ₈ "	(176 mm)	2"	(51 mm)	3 lbs	(1.35 kg)
3"	8- ³ / ₈ "	(208 mm)	2"	(51 mm)	6 lbs	(2.70 kg)
4"	9"	(229 mm)	1 1/2"	(38 mm)	8 lbs	(3.6 kg)
5"	10-1/4"	(260 mm)	1 1/2"	(38 mm)	10 lbs	(4.5 kg)
6"	11-3/8"	(284 mm)	1 1/2"	(38 mm)	12 lbs	(5.4 kg)
8"	13-3/8"	(340 mm)	1 1/2"	(38 mm)	16 lbs	(7.3 kg)
10"	15-3/8"	(395 mm)	1 1/2"	(38 mm)	20 lbs	(9.1 kg)
12"	17-3/8"	(446 mm)	1 1/2"	(44 mm)	25 lbs	(11.4 kg)
14"	19-15/16"	(506 mm)	1 1/2"	(44 mm)	50 lbs	(22.7 kg)
16"	21-15/16"	(557 mm)	2"	(51 mm)	60 lbs	(27.2 kg)
18"	24-3/8"	(614 mm)	2"	(51 mm)	70 lbs	(31.8 kg)
20"	26-1/8"	(662 mm)	2"	(51 mm)	80 lbs	(36.3 kg)

ISO-Spool® (threaded)

Pipe Size	A		B		Approx. Shipping Wt.	
	in.	mm	in.	mm	lbs	kg
1"	3-9/16"	(90 mm)	7 5/8"	(194 mm)	10 lbs	(4.5 kg)
1-1/2"	4-3/8"	(111 mm)	7 7/8"	(200 mm)	12 lbs	(5.4 kg)

ISO-Spool® (flanged)

Pipe Size	Class 150		Class 300		B		Class 150		Class 300	
	in.	mm	in.	mm	in.	mm	in.	mm	in.	mm
1"	4 1/4"	(108 mm)	4 7/8"	(124 mm)	5 3/8 lbs	(136 mm)	8 lbs	(3.6 kg)	9 lbs	(4.1 kg)
1-1/2"	5"	(127 mm)	6 1/8"	(156 mm)	5 3/8 lbs	(136 mm)	10 lbs	(4.5 kg)	12 lbs	(5.4 kg)
2"	6"	(152 mm)	-	-	5 3/8 lbs	(136 mm)	15 lbs	(6.8 kg)	-	-
3"	7 1/2"	(191 mm)	-	-	5 3/8 lbs	(136 mm)	22 lbs	(10.0 kg)	-	-
4"	9"	(229 mm)	-	-	5 3/8 lbs	(136 mm)	27 lbs	(12.2 kg)	-	-



IMPORTANT: OPW products should be used in compliance with applicable federal, state, provincial, and local laws and regulations. Product selection should be based on physical specifications and limitations and compatibility with the environment and materials to be handled. OPW MAKES NO WARRANTY OF FITNESS FOR A PARTICULAR USE. All illustrations and specifications in this literature are based on the latest product information available at the time of publication. OPW reserves the right to make changes at any time in prices, materials, specifications and models and to discontinue models without notice or obligation.

ISO-RING® SETS STANDARD FOR RELIABLE PRESSURE RATINGS

The design and engineering excellence of ISO-Ring® is embodied within a unique 360-degree flexible cylinder, behind which is a clean, captive liquid.

Here's how it works and its significance:

As process liquid flows through the pipe, it exerts pressure. This pressure is transmitted through the ISO-Ring's unique flexible cylinder to the captive liquid. The pressure exerted by the captive liquid is monitored by the gauge's (or switch's) sensing mechanism, which is completely isolated from the flow. The gauge (or switch), thus, comes in contact only with captive liquid and never directly with the process flow.

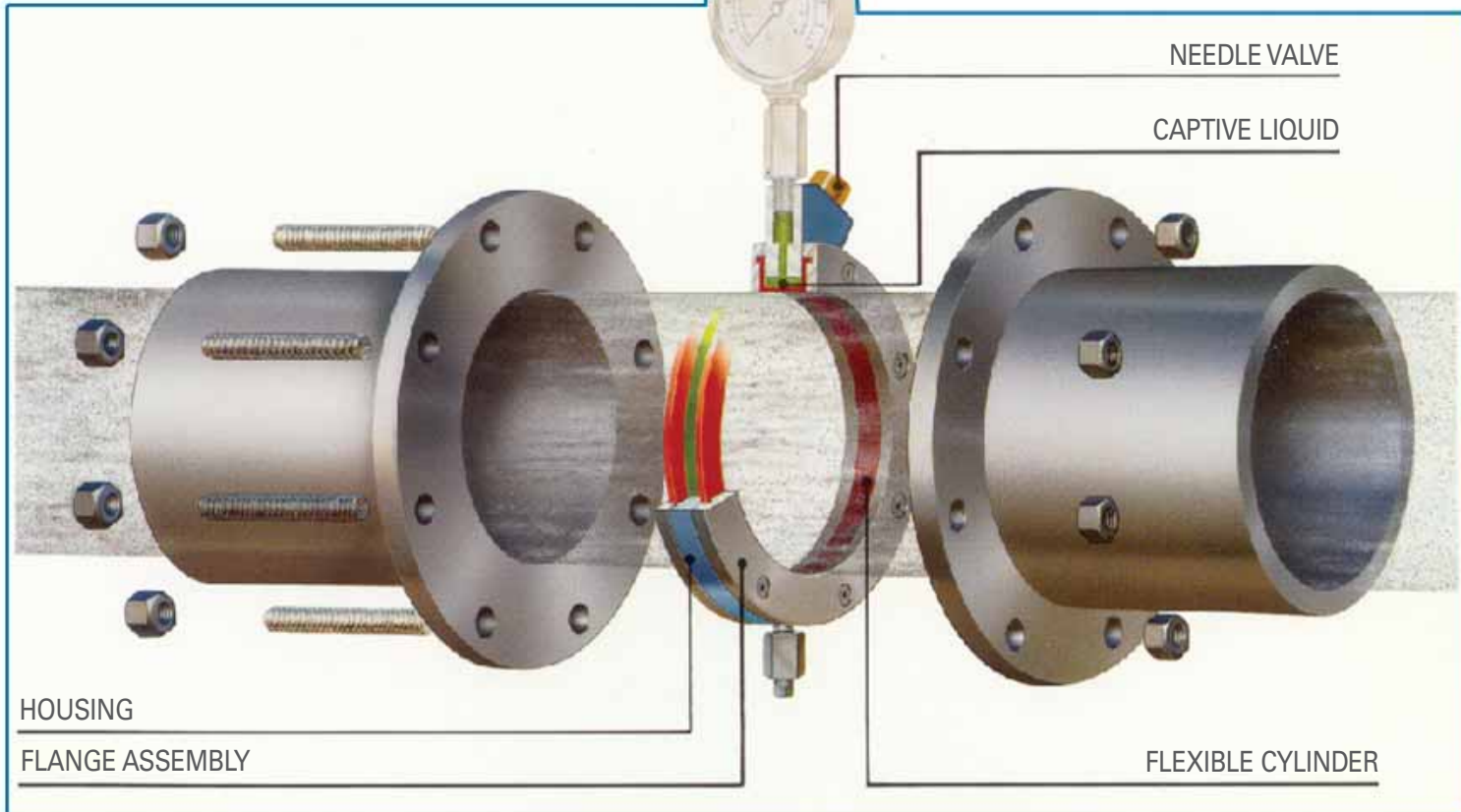
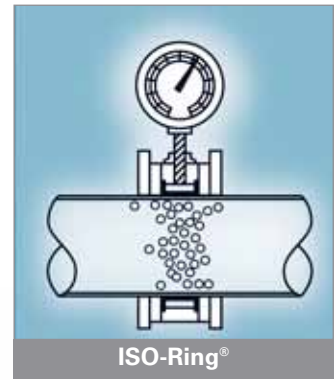
The result: the pressure-sensing mechanism never plugs.

ISO-Ring® has no access ports; consequently, there is nowhere for solids to collect and no openings that can plug. The inner flexible cylinder is the same diameter as the inner diameter of the piping, so it's continually cleaned by the flowing liquid.

The result: pressure readings are reliable and more accurate.

In addition, ISO-Ring® pressure readings represent the circumferential average of the pipe's internal pressure distribution (not just the pressure at a single point in the line, which is all you get with a diaphragm seal).

The result: pressure readings are more consistent.



ISO-RING® PERMITS GAUGE REMOVAL FOR CALIBRATION, WITHOUT INTERRUPTING PROCESS FLOW.

A built-in needle valve is yet another unique feature of OPW Engineered Systems' ISO-Ring®.

Here's how it works and its significance:

When the needle valve is open, pressure is transmitted into the access chamber by the captive liquid. It is then monitored by a gauge or switch.

When the valve is closed, it blocks entrance to the access chamber.

The result: users have the freedom and flexibility to remove the pressure instrument for calibration, repair or replacement – without shutting down the process flow. The system remains on stream and no captive liquid is lost.

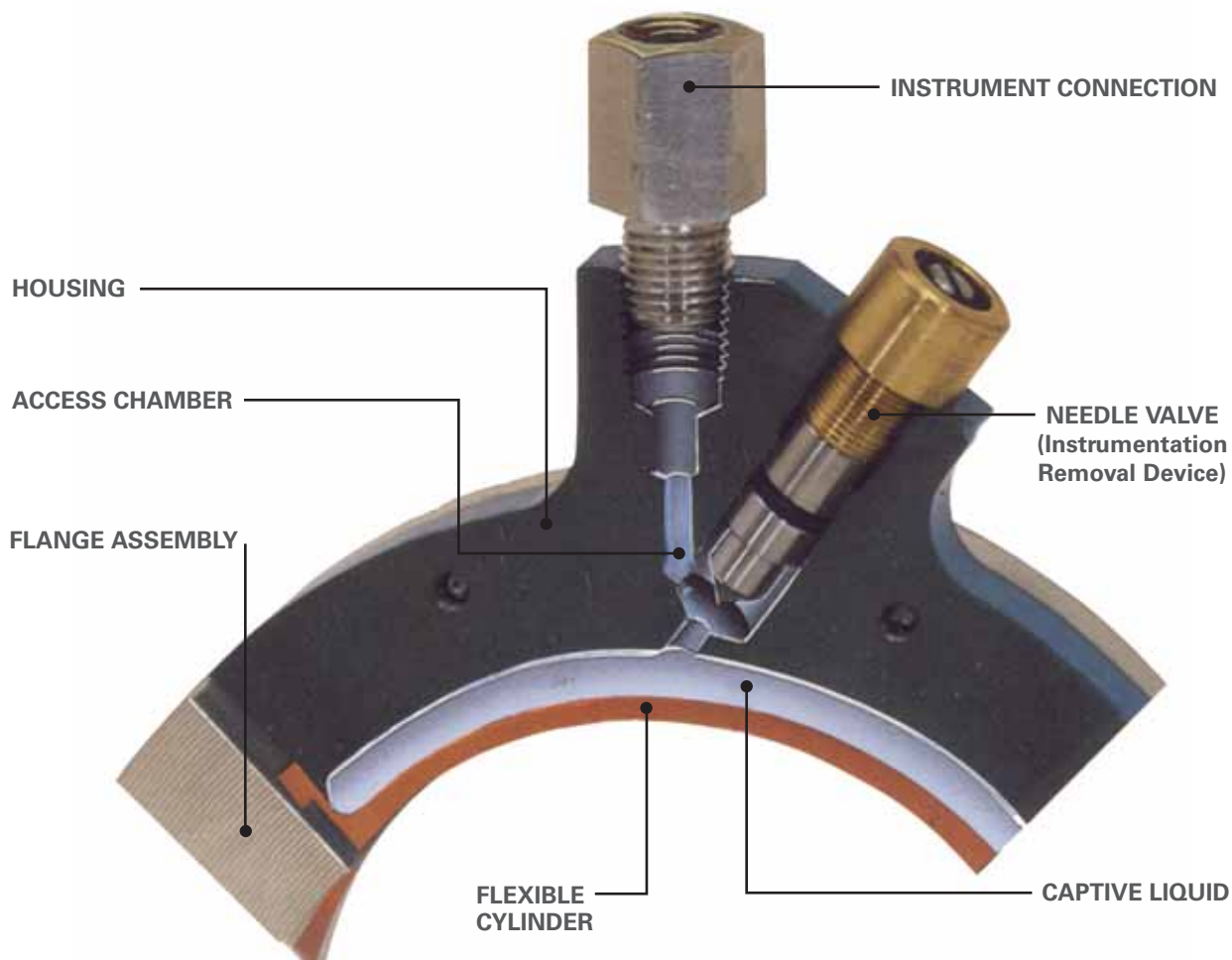
There are other important design advantages of ISO-Ring®, specifically:

- The needle valve is an integral part of the unit's housing, which means accidental breakage during transit, installation, or while in service, is virtually impossible.

- The needle valve, when adjusted to the "nearly closed" position, also acts as a snubber, which dampens pressure spikes that may occur, for example, from system upsets. This helps protect pressure instruments from damage.

- The ISO-Ring® is dramatically lighter in weight (vs. units from other manufacturers) and, therefore, substantially easier and more cost efficient to ship and install. The ISO-Ring® 8-inch unit, for example, weighs 16 pounds, whereas similar-sized units from other manufacturers weigh up to 58 pounds. As the unit size increases, so too does the comparative weight differential.

- The ISO-Ring® also is adaptable to a variety of process conditions and applications, including for the protection of delicate, expensive instrumentation (when used with a simple pressure gauge). Also available for piping diameters from 2" to 20" ISO-Ring® can be used at any pressure within the limitations of ASME Classes 150 and 300, and in most vacuum applications.



IMPORTANT: OPW products should be used in compliance with applicable federal, state, provincial, and local laws and regulations. Product selection should be based on physical specifications and limitations and compatibility with the environment and materials to be handled. OPW MAKES NO WARRANTY OF FITNESS FOR A PARTICULAR USE. All illustrations and specifications in this literature are based on the latest product information available at the time of publication. OPW reserves the right to make changes at any time in prices, materials, specifications and models and to discontinue models without notice or obligation.

8580 Series Diagnostic Opti-Therm Overfill Detection System

The 8580 is a Diagnostic Opti-Therm Overfill Detection System that recognizes the signal technology on the transport, verifies grounding, identifies compartments, as well as automatic warning of overfill. The LED display sends a "mode of operation" signal; and a "permissive" or "non-permissive" status signal. It communicates with the terminal automation system (T.A.S.).



8580

8460 Series Diagnostic Opti-Therm Monitor

The 8460 Opti-Therm Overfill Detection System recognizes the signal technology on the transport, verifies grounding, and communicates with the terminal automation system (T.A.S.). The 8460SRC is a direct replacement chassis upgrading other systems with a simple drop-in technology.



8460/8300 series

8300 Series Thermistor Rack Monitors

The 8300 Series provides automatic warning of product overflow at predetermined levels and warn of pending overflow conditions. It uses the standard thermistor signal format to communicate with an onboard control monitor or straight thermistor system on transports. The 8300 can be used with as many as six (available option of eight) thermistor liquid-level sensors or onboard monitors. It monitors two-wire Thermo-optic Quick Start™ replacement sensors



8300

8130 Series Optic Ground Verification Monitor

The 8130 Series Optic monitor is compatible with up to eight optic liquid level sensors or onboard monitors to monitor the status of liquid within a tank. The 8130 provide automatic warning of product overflow at predetermined levels. The system uses the standard optic signal format to communicate with an onboard control monitor or straight optic system. The system also includes ground verification.



8030

8030 Series Ground Verification Monitor

The model 8030 Ground Verification Monitor is compatible with today's transport ground systems. The monitor is 5 amperage, 240 volt relay output for control of terminal automation systems (T.A.S.) or pump control devices when used as a stand-alone system. The monitor is equipped to provide a permissive signal to allow load rack operation and, if ground is lost, to indicate a non-permissive signal and shut down the loading operation.

CIVA CON™ Cane Probe

Cane probes are used to provide overfill detection where a permanent sensor cannot be properly affixed to a tank or railcar. They provide a portable, flexible solution to meet a variety of overfill requirements for safe top loading. Cane probes utilize modern, instant-on optic principles. Adjusting the sensor position in the tank easily sets the sensing point. This is accomplished with a large adjustment knob on the cane probe clamp.



Universal Clamp



Clamp-Type



Kamlok®-Type

Plug and Cord Sets

CIVA CON™ brand plugs and cords are used with junction boxes to connect the overfill detection monitor to the tank transport at the terminal. Basically, there are two types of systems: optic (blue, 6-pin) and thermistor (green, 8-pin).



OPW Engineered Systems is a leading manufacturer of systems and components for fluid handling. They are part of OPW Fluid Transfer Group (OPW-FTG) which is comprised of five market-leading operating companies, each dedicated to designing, manufacturing, and distributing world-class solutions for the safe handling and transport of hazardous bulk products. OPW-FTG has manufacturing plants in North America, Europe, Brazil, and India; and sales offices in the United Kingdom, Singapore, Russia, and China. OPW-FTG is part of Dover Corporation (NYSE:DOV).

Throughout the world, OPW-FTG companies are hard at work ensuring the safe transportation of hazardous products and safeguarding against costly petroleum and chemical spills, tank overfills and fugitive vapor emissions. Whether your need is in the chemical plant, at the terminal loading rack, or outfitting a fleet of rail tank cars, cargo tanks or dry-bulk trailers, OPW-FTG systems set the standard for safety, performance and peace-of-mind assurance in the most rigorous and demanding applications. If the safe, profitable handling of hazardous liquids and dry bulk commodities such as gasoline and diesel, chlorine, chlor-alkali products, LPG, acids, cement, flour and starch, among others, is your concern, trust OPW-FTG.

Expert Solutions for the Safe Handling and Transport of Hazardous Bulk Products

	Applications	Processing	Loading	Transport		Unloading
PETROLEUM	<ul style="list-style-type: none"> Gasoline Alcohols Fuel Oil LPG 	<ul style="list-style-type: none"> Bellow Sealed Valves Sample Valves Lined Ball Valves Lined Butterfly Valves Industrial Valves ISO Rings Site Flow Indicators Globe Valves Swivels 	<ul style="list-style-type: none"> Loading Arms Couplers Rack Monitors Dry Disconnects API Coupler Swivels 	Cargo Tanks <ul style="list-style-type: none"> Manholes Vapor Vents Electronics Internal Valves API Adaptors Sealed Parcel Pneumatic Controls Manifold Systems 	Rail Tank Cars <ul style="list-style-type: none"> Pressure Relief Valves Plug Valves Ball Valves Level Measurement Autoloks Kamvaloks Dryloks Rupture Disc Devices Angle Valves 	<ul style="list-style-type: none"> Drylok Couplers Adaptors Delivery Elbows Vapor Recovery Elbows Swivels
CHEMICALS	<ul style="list-style-type: none"> Chlorine Acids & Bases Amines Anhydrous Ammonia Propylene Butadiene Hazardous Liquids 	<ul style="list-style-type: none"> Bellow Sealed Valves Sample Valves Lined Ball Valves Lined Butterfly Valves Industrial Valves ISO Rings Site Flow Indicators Globe Valves Swivels Dry Disconnect Quick Disconnect 	<ul style="list-style-type: none"> Loading Arms Autoloks Kamvaloks Dryloks Loading Manholes Valves Actuators Swivels 	Cargo Tanks <ul style="list-style-type: none"> Manholes Vapor Vents Electronics Internal Valves Sealed Parcel 	Rail Tank Cars <ul style="list-style-type: none"> Safety Valves Plug Valves Ball Valves Level Measurement Autoloks Kamvaloks Dryloks Rupture Disc Devices Angle Valves 	<ul style="list-style-type: none"> Loading Arms Autoloks Kamvaloks Dryloks Valves Actuators Safety Breakaways Swivels
DRY BULK	<ul style="list-style-type: none"> Cement Flour/Starch Pharmaceuticals 	<ul style="list-style-type: none"> Industrial Valves Sight Flow Indicators Butterfly Valves Swivels 	<ul style="list-style-type: none"> Loading Arms Aerators Hatch Covers Swivels 	Cargo Tanks <ul style="list-style-type: none"> Manholes Check Valves Hopper Tees Butterfly Valves Aerators Weld Rings 	Rail Cars <ul style="list-style-type: none"> Manholes Hatches Access Ports Check Valves Hopper Tees Butterfly Valves Aerators Pressure Vacuum Valves 	<ul style="list-style-type: none"> Aerators Butterfly Valves Tank Hatches Pressure Relief Vacuum Relief Temperature Monitoring

Rail Car Market Unit

- Pressure & General Purpose Rail Tank Cars
- Dry Bulk Rail Cars

Cargo Tank Market Unit

- Gasoline & Diesel
- Chemical
- Dry Bulk

Chemical & Industrial Processing Market Unit

- Chemical Plants
- Petroleum Loading Stations
- Steel Processing, Pulp & Paper
- Waste Water Treatment
- Pharmaceutical



2726 Henkle Drive
Lebanon, OH 45036 USA
Telephone: +1 513 696 1500
Fax: +1 513 932 9845
www.opw-es.com

Specializes in designing and manufacturing products for safe and efficient loading and unloading of critical hazardous chemicals: loading arms, swivel joints, sight flow indicators, quick and dry disconnect couplers, and breakaway valves.



7733 Gross Point Road
Skokie, IL 60077 USA
Telephone: +1 847 677 0333
Fax: +1 847 677 0138
www.midlandmfg.net

Specializes in products used on pressure and general purpose rail tank cars, chemical cargo tanks, barges and ISO containers for the safe handling of toxic materials: bottom and top loading/unloading valves, pressure relief valves, level gauge devices, and monitoring equipment.



11172 State Highway O
Mineral Point, MO 63660 USA
Telephone: +1 573 438 5000
Fax: +1 573 438 4853
www.suresealinc.com

Specializes in components for pneumatic tank trailers, rail cars, chemical and pharmaceutical plants and any application requiring the movement and storage of dry bulk or liquid materials: butterfly valves, lined ball valves, actuators, aeration systems, relief valves, hopper tees, couplers, and sanitary valves.



4304 Mattox Road
Riverside, MO 64150 USA
Telephone: +1 816 741 6600
Fax: +1 816 741 1061
www.civaicon.com

Specializes in products for petroleum, chemical and dry bulk cargo tanks that help safeguard against spills, overfills, and fugitive emissions: access ports, manholes, weld rings, hatches, fill covers, swing check valves, pressure vacuum hatches, pressure relief valves, vapor valves, bottom loading equipment, delivery elbows, overflow detection devices, and vapor recovery adaptors.

OPW FLUID TRANSFER GROUP - INDIA

36 Marol Co-op. Ind. Est. Ltd.
2nd Floor, M.V. Rd., Marol
Andheri (E), Mumbai – 400 059
Telephone: +91 22 2851 72 96 / 2851 73 55
Fax: +91 22 2851 73 33

OPW FLUID TRANSFER GROUP - BRAZIL

Rua Manuel Augusto de Alvarenga, 155
São Paulo, São Paulo, Brazil
CEP 04402-050
Telephone/Fax: +55 11 5564 6466



Boekweitstraat 1, P.O. Box 32,
2150 AA Nieuw-Vennep, Netherlands
Telephone: +31 252 660 300
Fax: +31 252 687 258
www.opw-ftg.nl

OPW Fluid Transfer Group Europe B.V. is a leading manufacturer of a full range of loading arms, and subsequent fluid handling equipment and a major provider of cargo tank products and an extensive package of bulk handling fittings for markets in Europe, the former Soviet Union, Africa, the Middle East, and Asia as far as Pakistan.